



مجموعة شركات التون

ALTON

GROUP OF COMPANIES



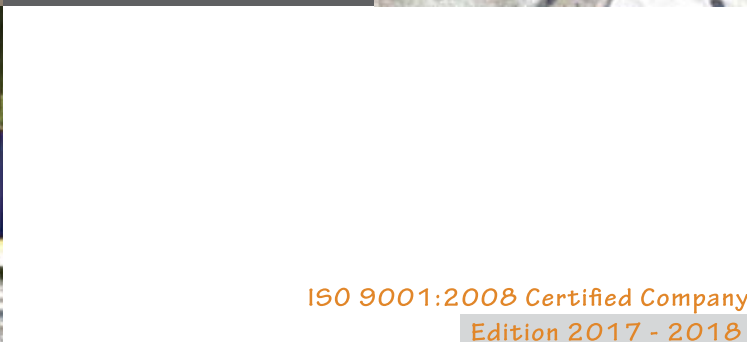
FENCE

ADVERTISING

PREFAB HOUSE

RCC BLOCKS

REAL ESTATE



Alton Group Of Companies

ISO 9001:2008 Certified Company

Edition 2017 - 2018

Revision - 002



*Offer the highest quality to
customers is my prime directive.*

Alton Group of Companies

FENCE | ADVERTISING | PREFAB HOUSE | RCC BLOCKS | REAL ESTATE

Mohammad Anis
CEO

CONTENTS

F FENCING 06 - 25

A ADVERTISING..... 26 - 33

P PORTACABIN 34 - 37

R RCC BLOCKS 38

CERTIFICATE OF REGISTRATION

ISO 9001:2008

For the following scope of activity:
Steel and Basic Steel Products Trading.
Certificate No: 169762A



OUR MISSION

Our Mission is to provide creative and quality products for our precious clients and their satisfaction is our motto.

A history of experience and traditional values combined with cutting Edge.

QUALITY

It is always the result of high intention, sincere effort, intelligent direction and skilful execution; it represents the wise choice of many alternatives.



OUR COMPANY PROFILE

ALTON GROUP is one of the most respected, well known 3D signage, Advertising / Steel Fabrication / Fencing / Prefab houses & Real Estate Company in United Arab Emirates since 1998. We are located in Dubai / Sharjah / Abu Dhabi - UAE.

We made up our way to gain the status of a well established, efficient and quality conscious INDOOR & OUTDOOR production facility with best quality & fast services.

Our Internal & External production division is having wide variety of machinery, tools, Designing Section & skilled workers to complete tasks "with in Time Frame maintaining the quality" & with competitive price in town.

We have undertaken turnkey projects of various prestigious clients in UAE / GCC / Iraq / Jordan / USA / Bangladesh and Ghana-South Africa.

OUR PRESTIGIOUS CLIENTS



ALUMINUM FENCE (CONTINUATION)

Our all product are galvanized with BS standard and all profile sheets are powder coated.

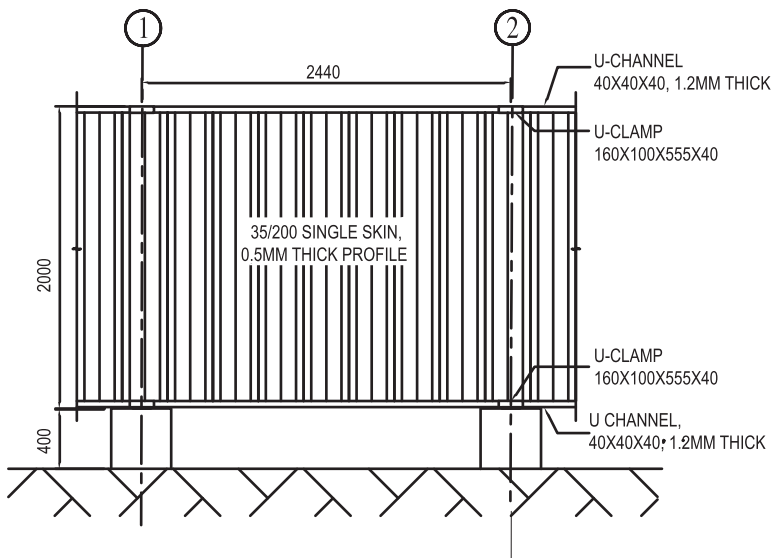
We are well expert in fabrication and installation of continuous fence (fencing materials are available in variety on demand) with any required height.

We can do supply and installation in any location in UAE / GCC.



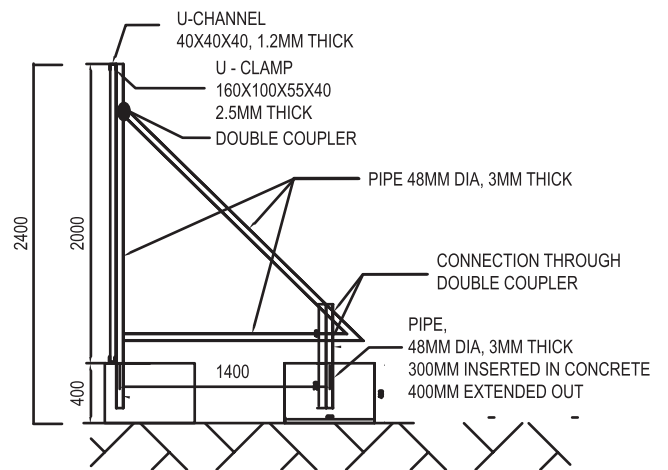
ALUMINUM FENCE

ELEVATION



NOTE: WE CAN DO ANY DIFFERENT SIZES OF FENCING AS PER CLIENT DEMAND

TYP. SECTION



PROJECT	HOARDING-2.4M		
AREA			
DRAWING CONTENT	STRUCTURE DRAWINGS PLAN AND ELEVATIONS AND DETAILS		
DRG.NO		REVISION	
DATE		JOB. NO	
SCALE	NTS	ENGINEER	
DRAWN BY		CHECKD BY	



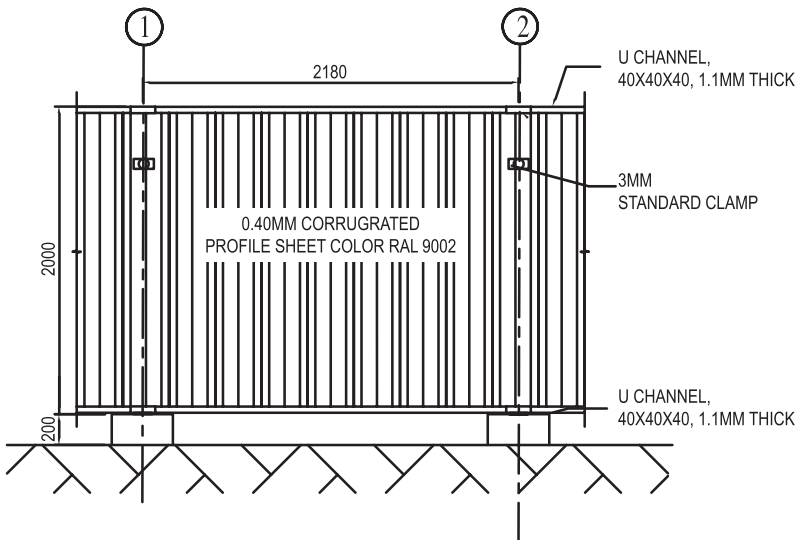
G.I STEEL FENCE

Our all product are galvanized with standard and all profile sheets is powder coated.

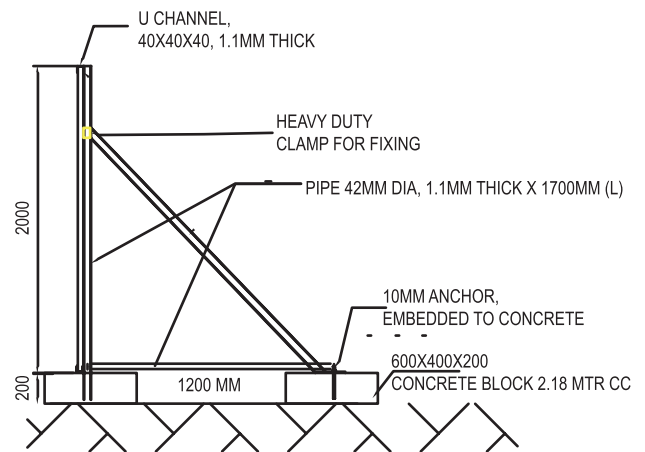
Steel fence is also available in many colors and thickness. To supply and install on site either to require in panel type or in continuous type. Quality is our motto.

G.I STEEL FENCE

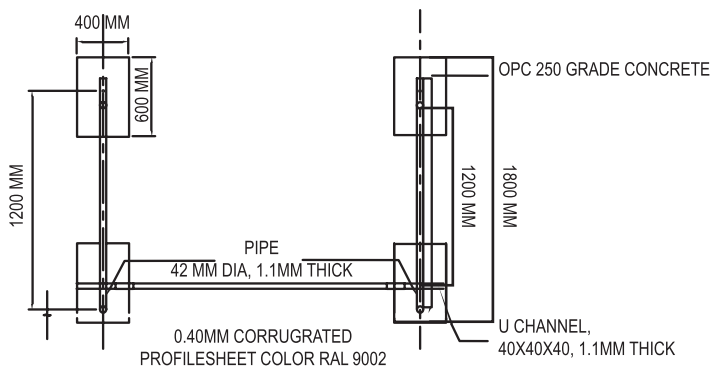
ELEVATION



TYP. SECTION



PLAN





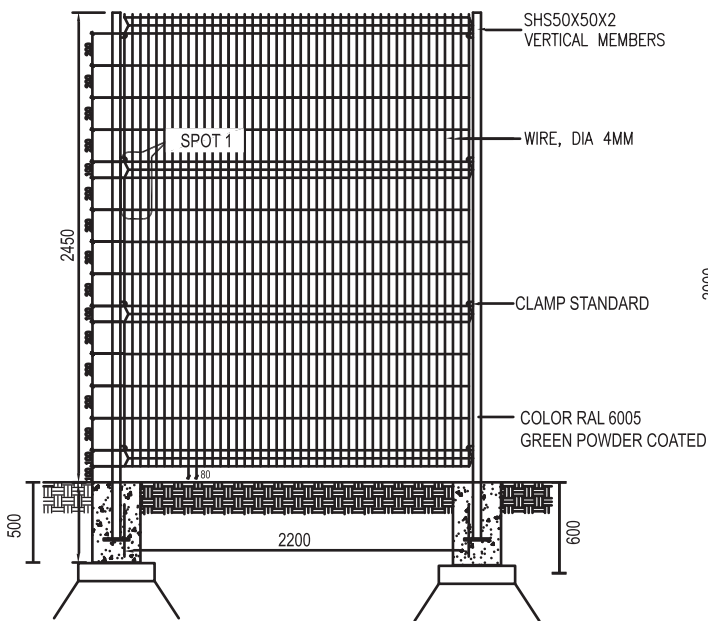
WELDED MESH FENCE (PLAY GROUND / GARDEN FENCE)

welded prefabricated joined grid consisting of a series of parallel longitudinal wires with accurate spacing welded to cross wires at the required Welded wire mesh, or welded wire fabric, or "weldmesh" is an electric fusion spacing with high quality powder coating and long time durability product.

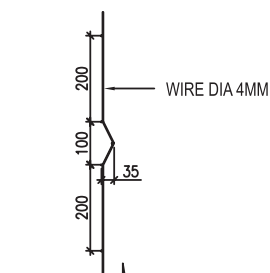
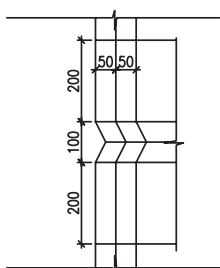
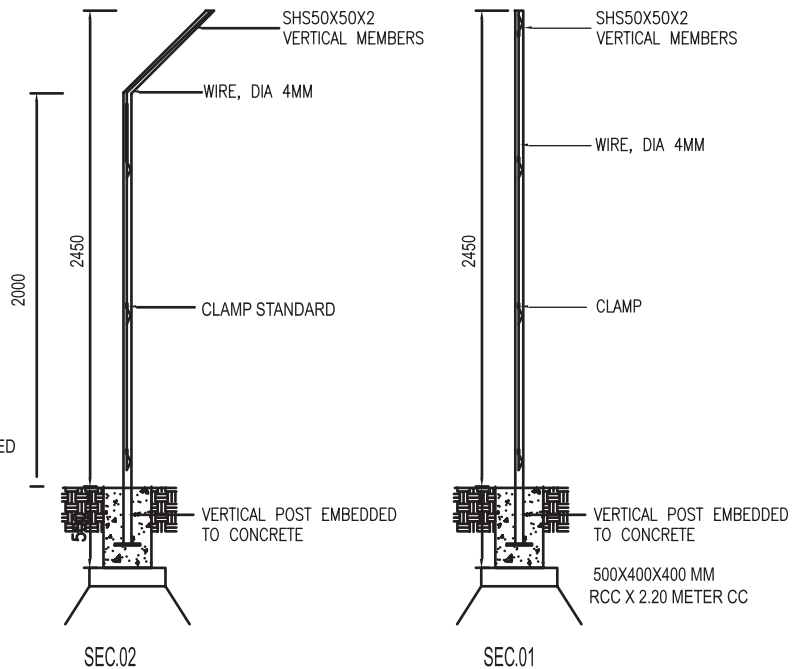
We can do supply and installation all types of welded mesh fence with RCC blocks.

WELDED MESH

ELEVATION



TYP. SECTION



DECORATIVE FENCE/ RTA FENCE

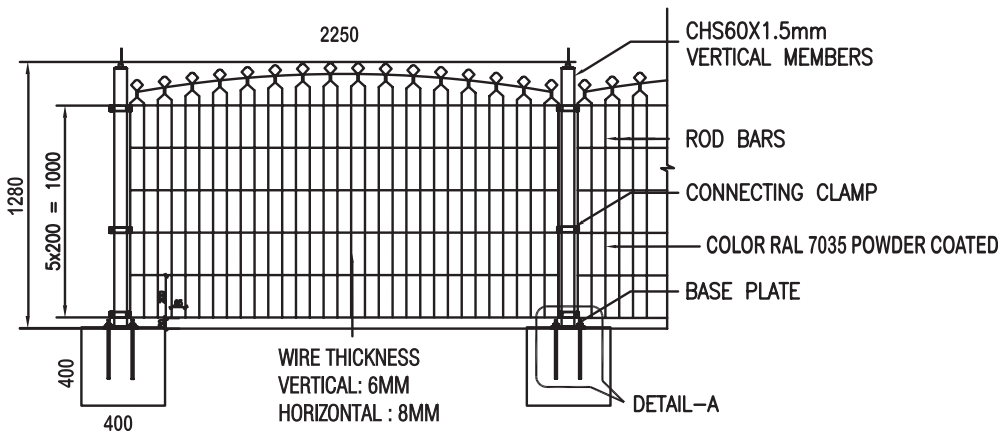
welded prefabricated joined grid consisting of a series of parallel longitudinal wires with accurate spacing welded to cross wires at the required Welded wire mesh, or welded wire fabric, or "weld mesh" is an electric fusion spacing with high quality powder coating and long time durability product.

We can do supply and installation of all types of welded fence with RCC blocks.

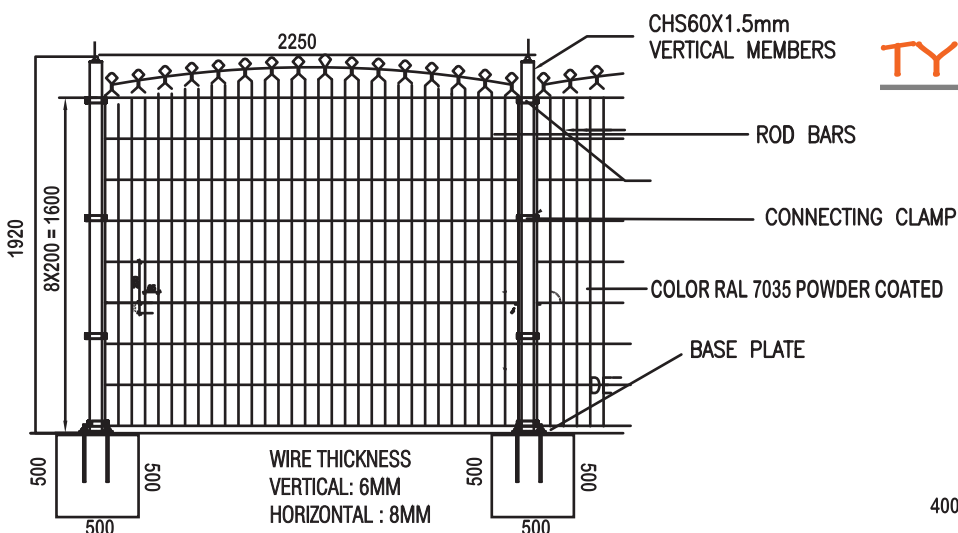
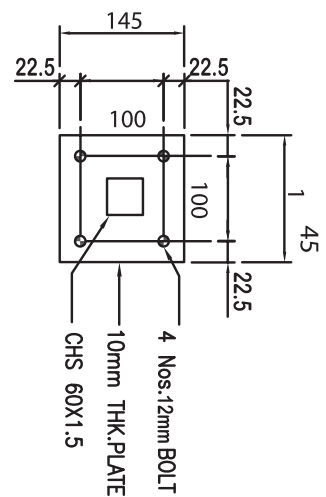


DECORATIVE / RTA FENCE

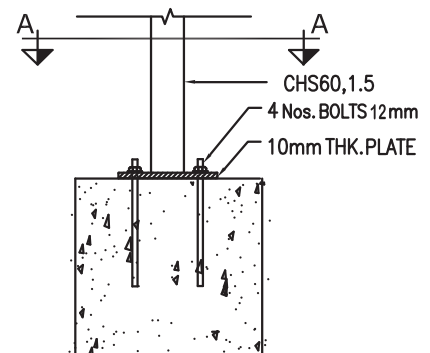
ELEVATION



BASE PLATE



TYP. SECTION



400X400X400X2.25 MTR CC | RCC BLOCKS OPC 250 GRADE

CHAIN LINK FENCE

A chain-link fence (also referred to as wire netting, wire-mesh fence, chain-wire fence, cyclone fence, hurricane fence, or diamond-mesh fence) is a type of woven fence usually made from galvanized or powder-coated steel wire. The wires run vertically and are bent into a zig-zag pattern so that each "zig" hooks with the wire immediately on one side and each "zag" with the wire immediately on the other. This forms the characteristic diamond pattern seen in this type of fence.

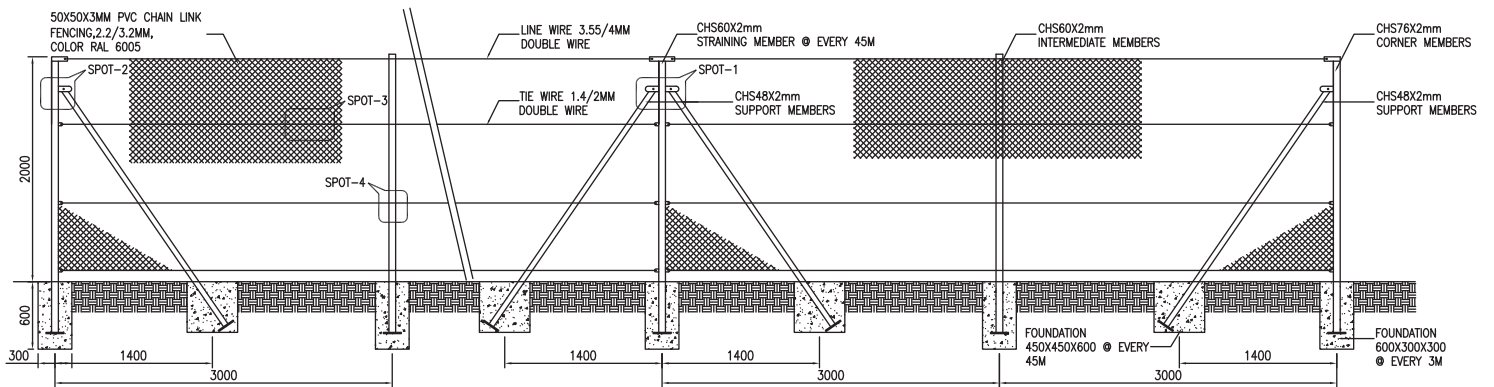
A number of high valued projects have been done in a proficient way in UAE with said fence.

BARBED WIRE / CONCERTINA RAZOR WIRE

We can supply Barbed Wires also as per the customer demand.

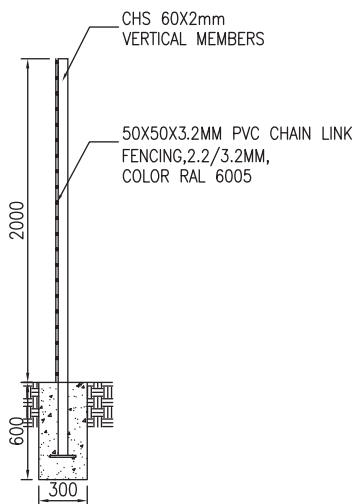


CHAIN LINK FENCE

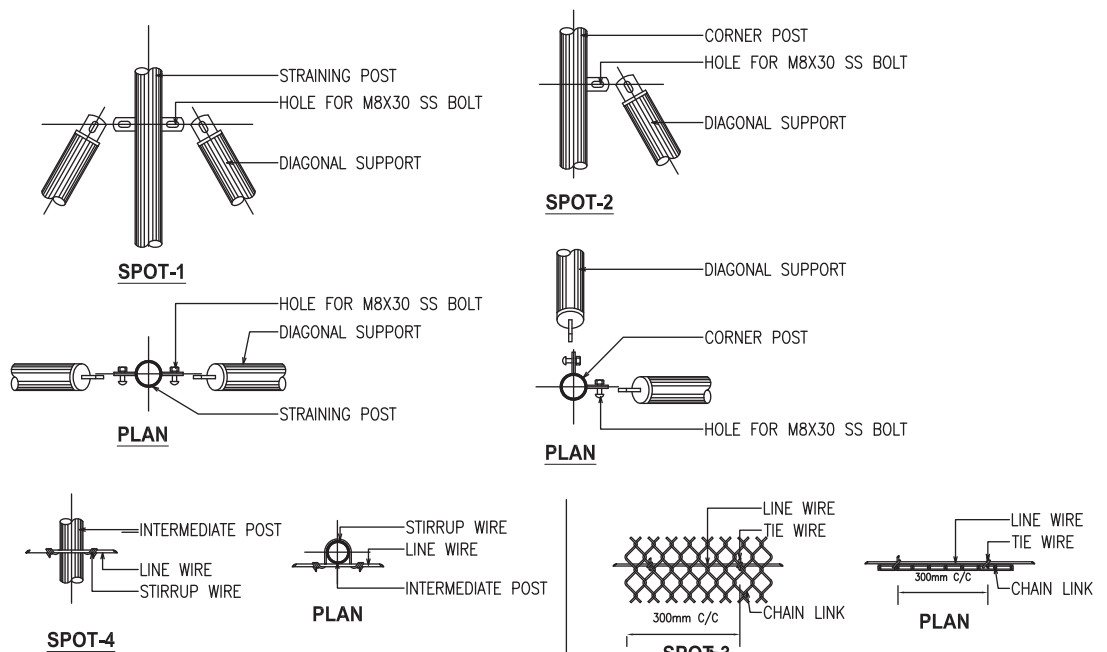


ELEVATION

TYP. SECTION



DETAILS



FENCE BRANDING

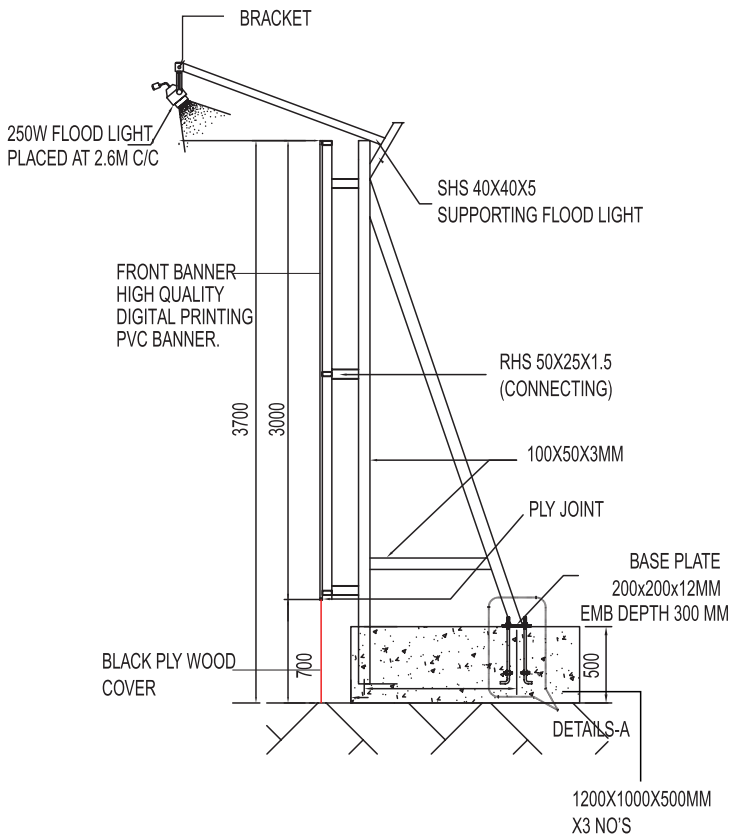
Our quality Billboard steel structure & Billboard or Fence branding offer elegance, security, safety and complete satisfaction to our customer in order to supply and installation.

Also we are making hoardings onsite with proper steel structure & concrete with front plywood backdrop & digital printing media PVC banner for any project.

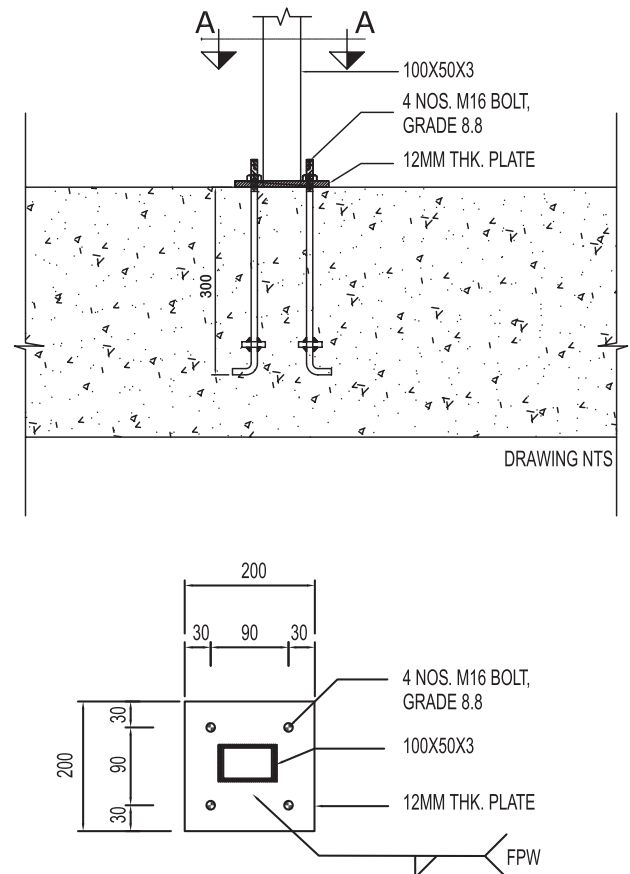


FENCE BRANDING

SECTION



FOUND. DET.



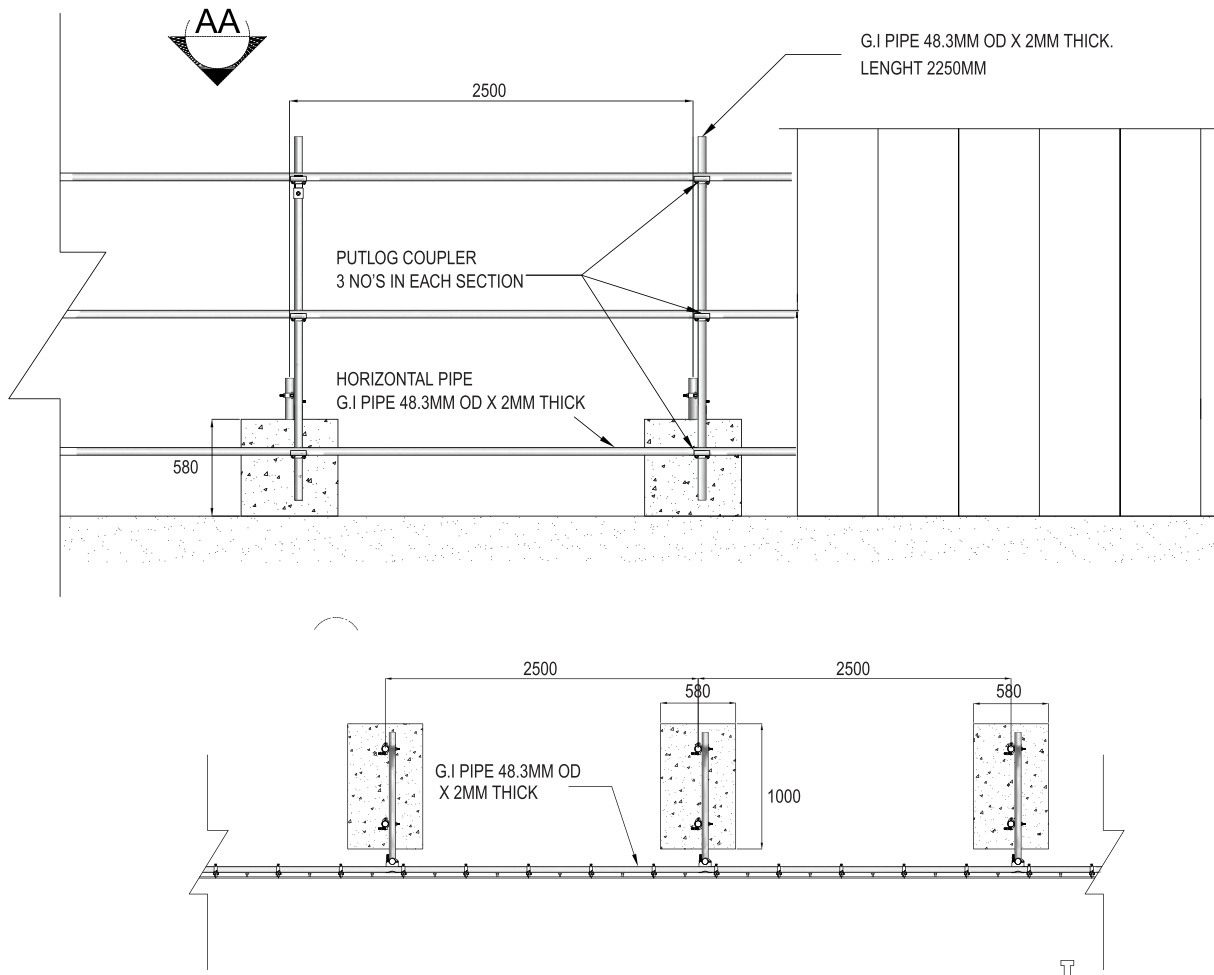


PVC - ECOLOGICAL FENCE

PVC-Eco logical fencing is recyclable + eco friendly + long life + UV protected + environment friendly + heavy duty + delicate in looks and having no maintenance cost fence. It can be use for indoor/outdoor hoarding for any purpose with adjustable heights. We offers full services O-100% in shape of supply and installation.

PVC - ECO

ELEVATION



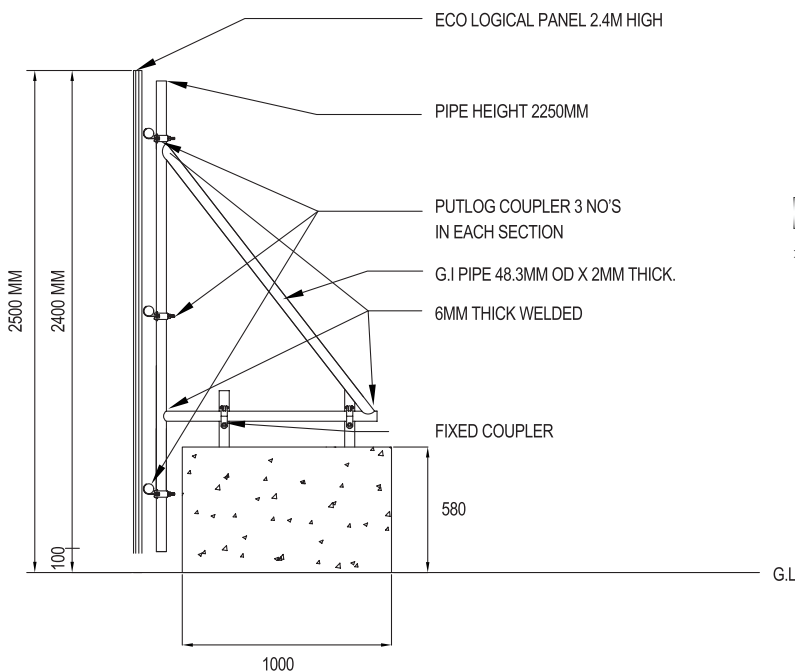


BRANDING ON PVC-ECOLOGICAL FENCE

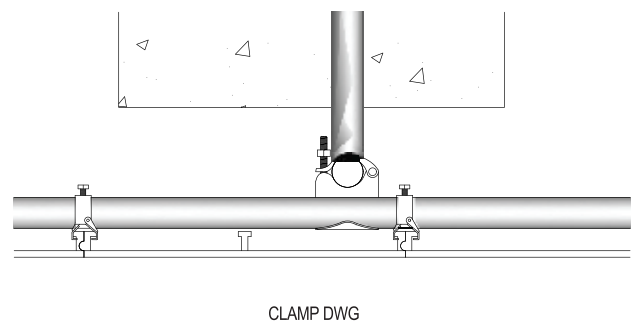
Branding on same hoarding can be providing with a smooth finish.

LOGICAL FENCE

TYP. SECTION



CLAMP DETAILS



(WE DO ANY HEIGHT FOR ECO LOGICAL FENCE)

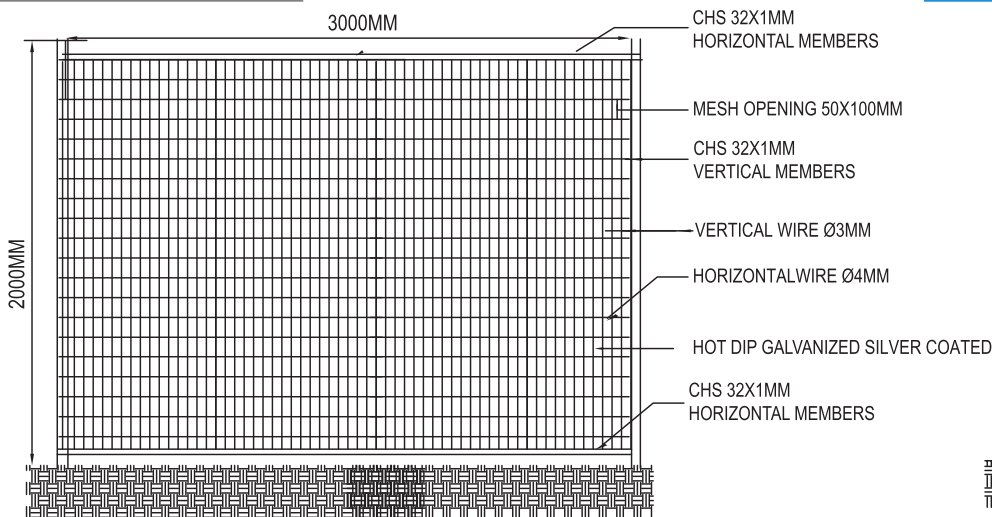
HERAS FENCE

Temporary fencing as the name suggests is a free standing, self-supporting fence panel, the panels are held together with couplers that interlock panels together making it portable and flexible for a wide range of applications. A common type of temporary fencing is Heras fencing. Fence panels are supported with counter-weighted feet.

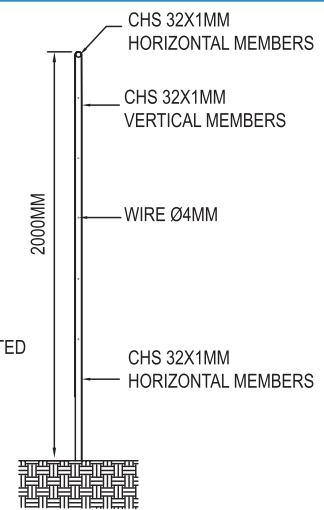


HERAS FENCE

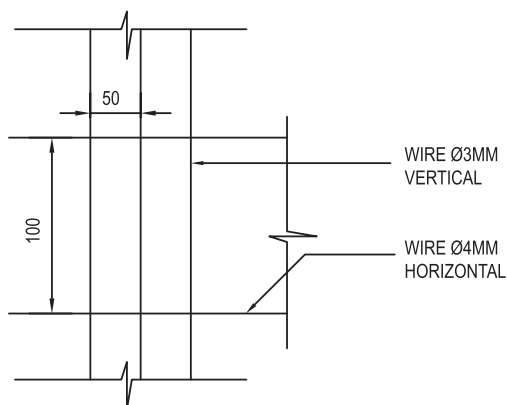
ELEVATION



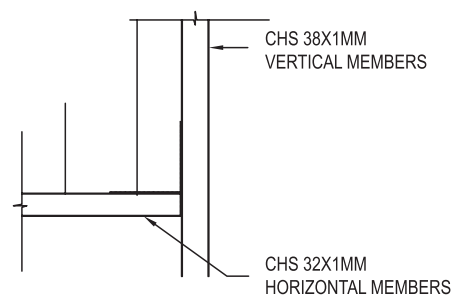
TYP. SECTION



SPOT-1



DETAIL-A



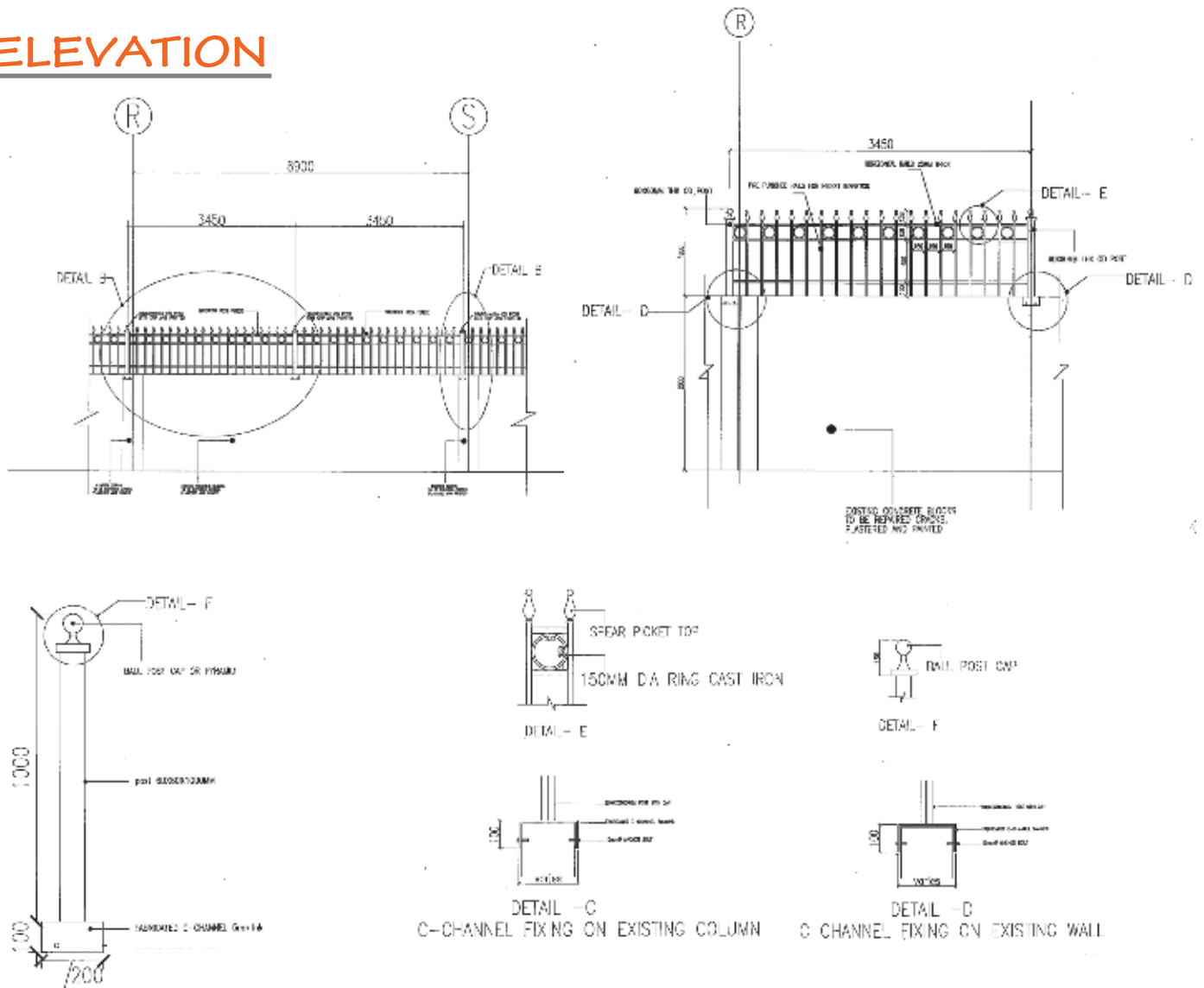
CAST IRON FENCE

Cast iron boundary fence made with steel bars or tube framing joints with proper welding and cast iron rings/ticklers fully powder coated.



CAST IRON FENCE

ELEVATION



POST BARRIER

Limiting the movement of personnel, vehicles, and equipment, to only specific, predetermined areas necessary for ingress/egress and for performing the work. This minimizes disruption of the site, maximizes the preservation of existing vegetation, and reduces the potential for soil erosion or compaction .

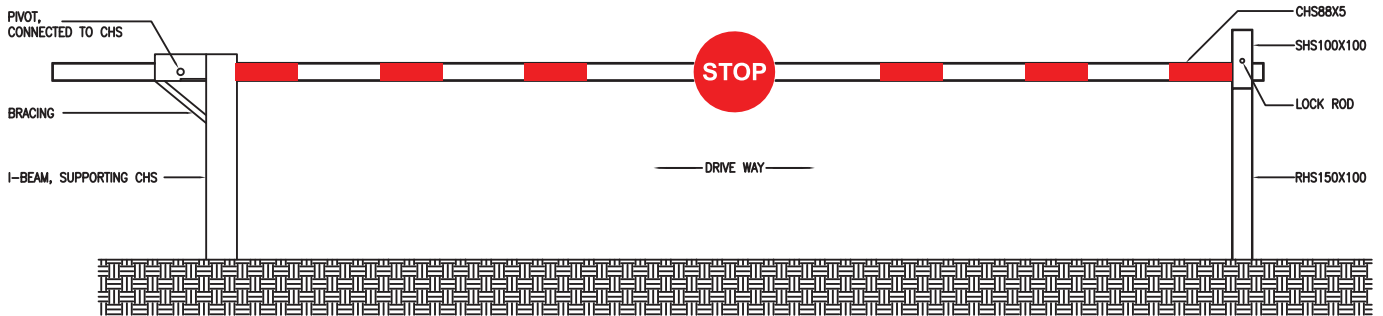
This barrier is mostly using in construction sites and specially for all construction projects in UAE. We are supplying and installing these barriers with foundation.



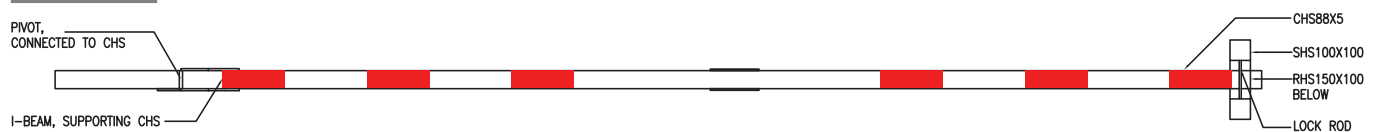
POST BARRIER

ELEVATION

TYP. SECTION



PLAN





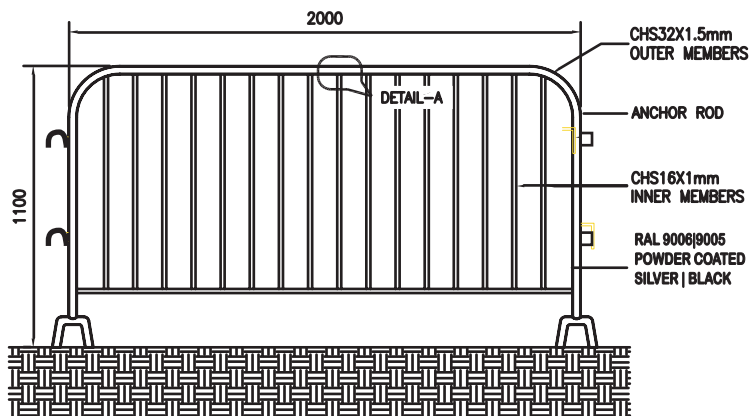
METAL BARRIER/ POLICE BARRIER

Limiting the movement of personnel, vehicles, and equipment, to only specific, predetermined areas necessary for ingress/egress and for performing the work. This minimizes disruption of the site, maximizes the preservation of existing vegetation, and reduces the potential for soil erosion or compaction.

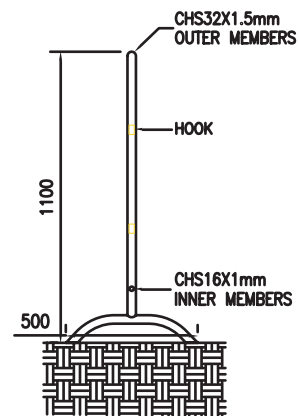
We have in house production facility for any type of metal barrier include supply and any color coating.

METAL BARRIER

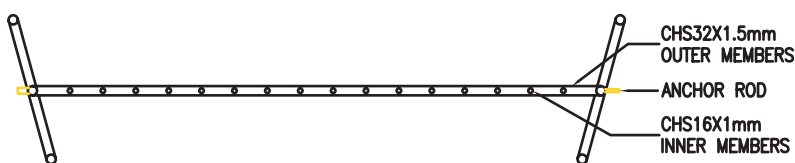
ELEVATION



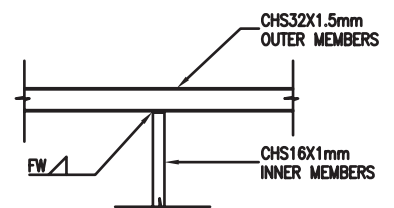
TYP. SECTION



PLAN



DETAIL





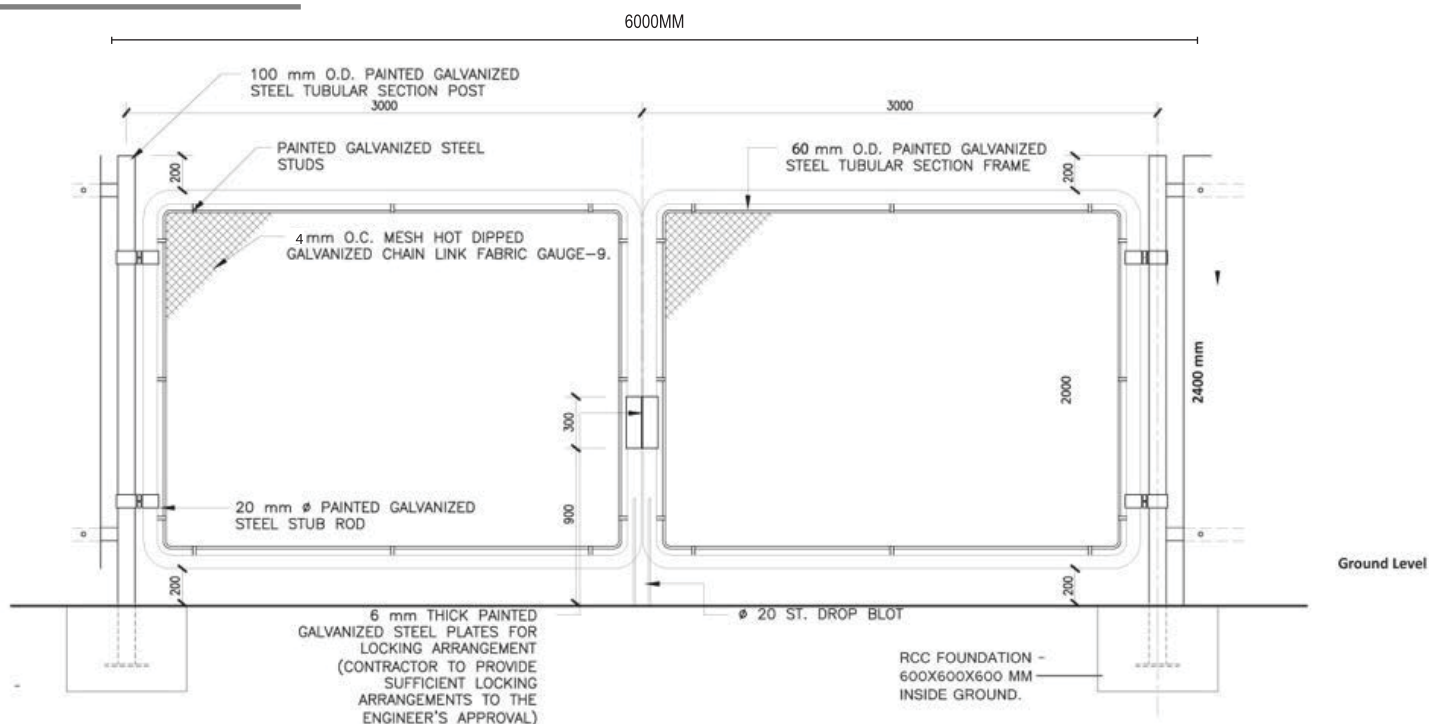
DOUBLE LEAF SWING MESH GATE

All our gates are custom made to suit all needs and tastes and they are made of the material you choose.

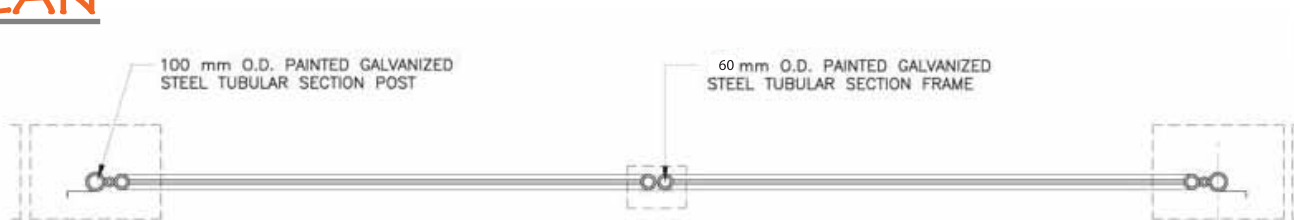
Its using in any construction or any factory projects. We do fabrication + installation.

MESH GATE

ELEVATION



PLAN



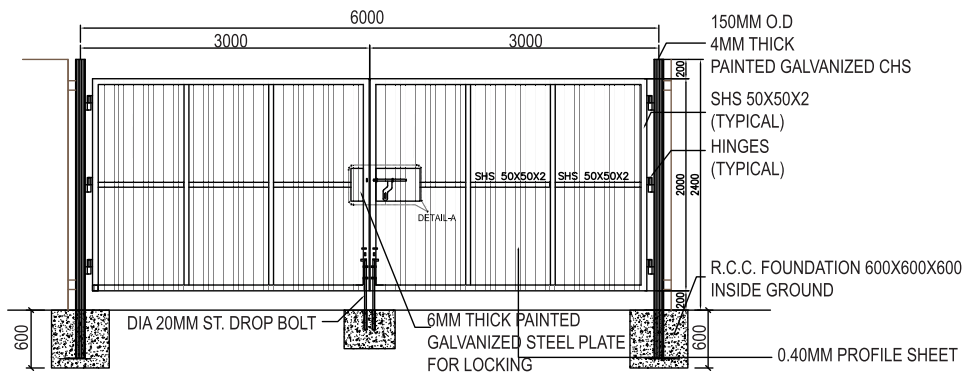


DOUBLE LEAF SWING STEEL GATE

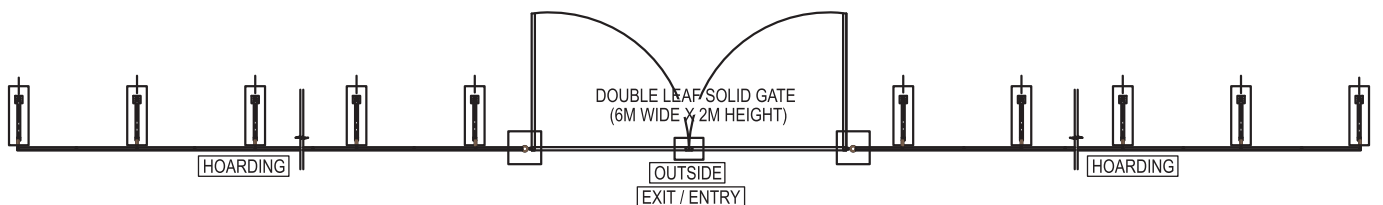
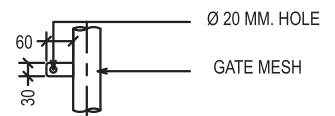
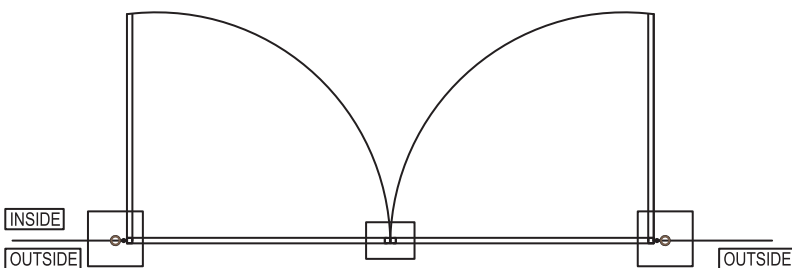
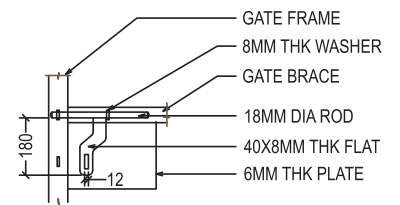
Steel / Aluminium gate (panel type) made with corrugated PPGI coil available at any site with any dimensions.

STEEL GATE

ELEVATION



DETAILS





CAR PARK SHED

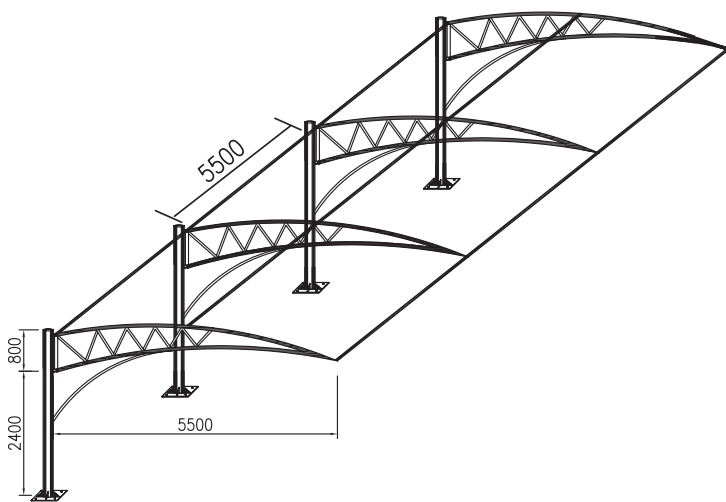
A car parking shed is a covered structure used to offer limited protection to vehicles, primarily cars, from the elements. The structure can either be free standing or attached to a wall. Unlike most structures car park shed does not have four walls. Car Parking Shed offer less protection than garages but allow for more ventilation.

We have our own special fabrication team to make any kind of parking shed with any design.

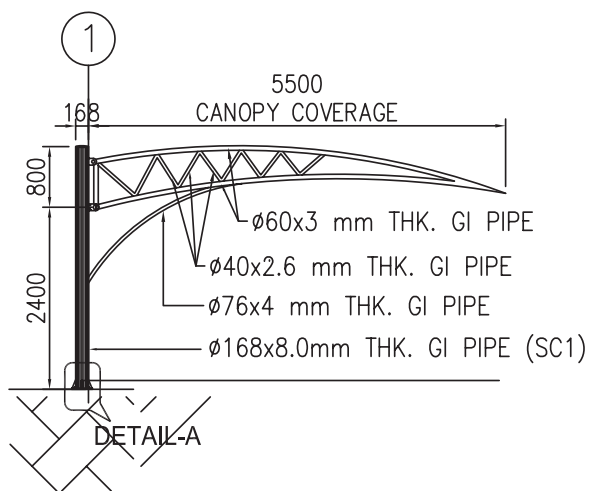
Its fully PVC | knitted fabric with BS standard steel structure + 10 year warrenty fabric.

CAR PARK SHED

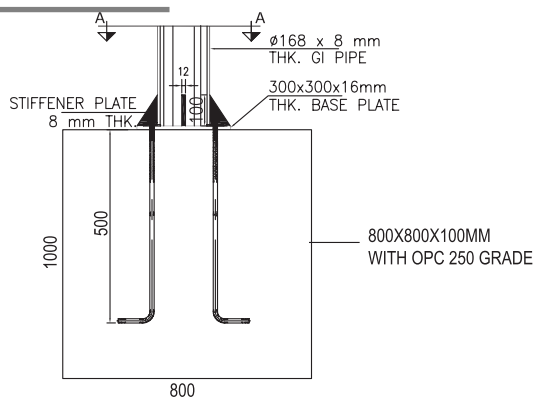
ELEVATION



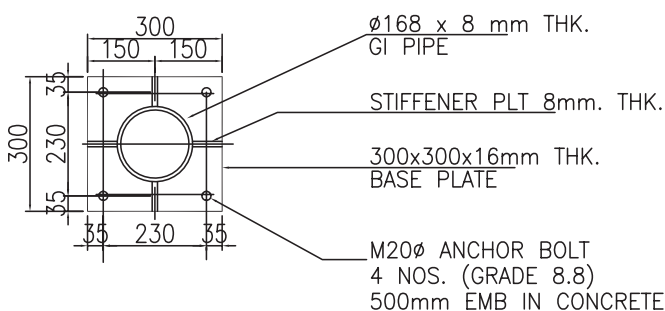
TYP. SECTION



DETAIL



SECTION A-A



CONSTRUCTION SIGNAGE

Construction signage is one of the key requirement of any construction project in UAE.

We are expert in providing every kind of construction signage

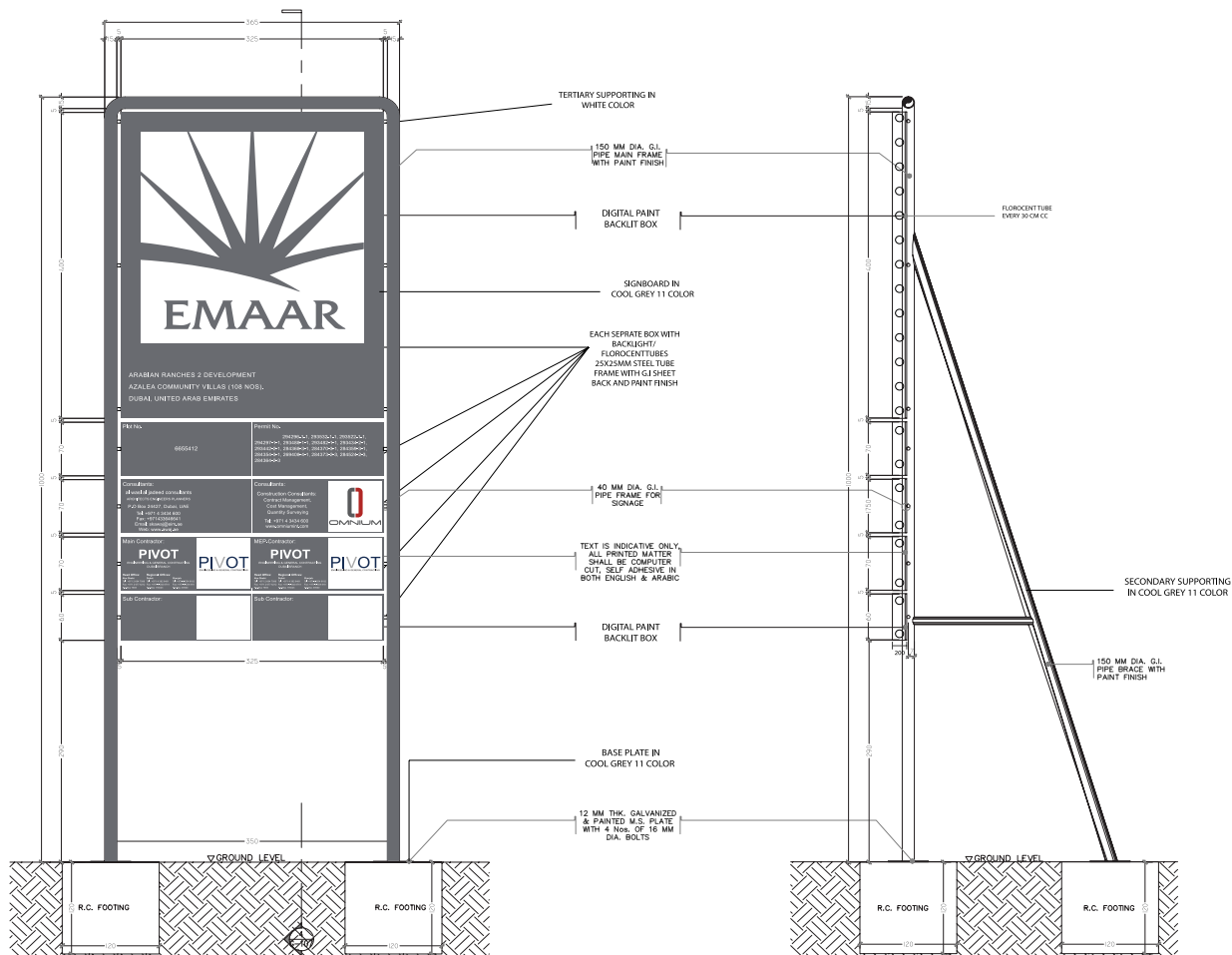
(Front lit/back lit/etc) with 0-100% of providing of full materials + fabrication + installation include foundation.

CONSTRUCTION SIGNAGE



ELEVATION

TYP. SECTION





GI / MS PIPES (GALVANIZED / MILD STEEL)

Galvanization (or galvanizing as it is most commonly called in that industry) is the process of applying a protective zinc coating to steel or iron, to prevent rusting. The most common method is hot-dip galvanizing, in which parts are submerged in a bath of molten zinc.

We have ready stock of different sizes and dimensions of hot dipped galvanized pipes with BS standard.

GALVANIZED PIPES

G.I PIPE REGULAR STOCK DETAILS | FOR FENCING

42 OD x 1.0 MM

42 OD X 1.5 MM

42 OD X 2.0 MM

42 OD X 3.0 MM

48 OD x 2.0 MM

48 OD X 2.5 MM

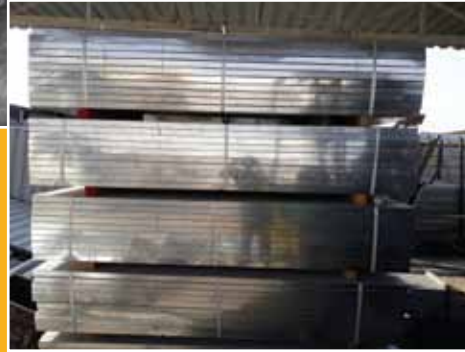
48 OD X 3.0 MM



U CHANNELS

We are having different sizes of hot dipped galvanized U-Channels (ready in stock) using to make fencing and other multiple uses.

U channels are custom made and using for panel type & continuous type of fencing.



G.I. U-CHANNELS

G.I U-CHANNEL - REGULAR STOCK FOR FENCING

40 X 40 X 40 X 1.0 X 2140 MM

40 X 40 X 40 X 1.2 X 2140 MM

40 X 45 X 40 X 1.5 X 2140 MM

40 X 45 X 40 X 2.0 X 2140 MM

40 X 45 X 40 X 2.5 X 2140 MM

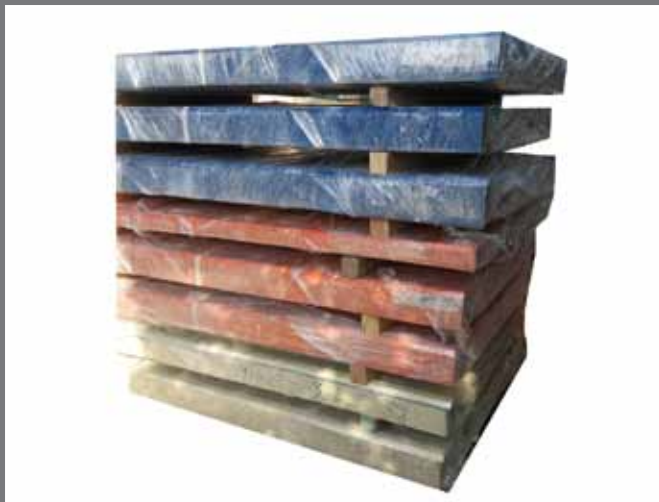
40 X 50 X 40 X 1.2 MM X 2440 MM

40 X 50 X 40 X 1.5 MM X 2440 MM

40 X 50 X 40 X 2.0 MM X 2440 MM

40 X 50 X 40 X 3.0 MM X 2440 MM

100 X 50 X 40 X 2.5 MM X 160 MM

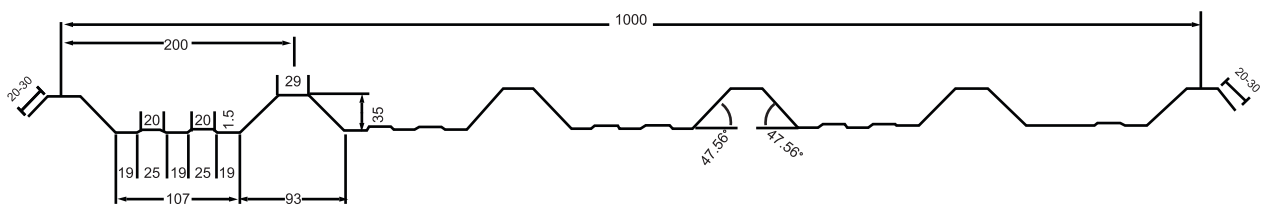


CORRUGATED PROFILE SHEET

- Roof / Wall Cladding / Fencing
- Sheets are galvanized & Color coated steel
- Based Material confirms to EN10147 Fe 350 Z27/ASTM A653 GD 350 G 90
- Hot dip galvanized to G90/60 or Z27/Z18 coating
- Color RAL Color, subject to availability
- Coating is regular polyester, 25 mic/7mic
- Yield Strength 350 N/mm²
- Thicknesss from 0.3 mm to 1 mm
- Profile size 35|200 mm
- Height standard 2 meters
- Available any size (as per requirement)

CORRUGATED PROFILE SHEET

DESCRIPTION



AVAILABLE COLOR:

RAL 9002 | RAL 9003 | RAL 5002 | RAL 5010 | RAL 5012 | RAL 5017 | RAL 1004 | RAL 2004 | RAL 6005 | RAL 7035
(Other colour on request we do as well.)

PPGI. COIL AND PROFILE MAKING DETAIL



PPGI. COIL AND PROFILE MAKING DETAIL

DATA SHEET FOR PROFILE SHEET

Section Properties (Per Meter of Coverage Width)											
Thickness mm	Weight Kg/m ²	Area cm ²	Top in Compression				Bottom in Compression				Shear Va KN
			Ix cm ⁴	Sx Top cm ³	Sx Bottom cm ³	Ma KN-m	Ix cm ⁴	Sx Top cm ³	Sx Bottom cm ³	Ma KN-m	
0.40	3.823	4.876	7000	2.832	6.632	0.942	6.827	3.784	3.963	1.258	11.510
0.46	4.396	5.607	8.644	3.601	7.646	1.197	8.063	4.384	4.766	1.458	17.550
0.50	4.778	6.095	9.804	4.161	8.325	1.384	8.901	4.786	5.317	1.591	22.520
0.70	6.690	8.533	15.237	6.765	11.767	2.249	13.251	6.800	8.289	2.261	38.700
Ultimate Uniform Load Capacities (KN/m ²)											
Thickness mm	No. of Spans	Load Case	Span in Meters								
			1	1.25	1.5	1.75	2	2.25	2.5	2.75	3.00
0.40	Single Spans	Imposed Load	6.075	3.110	1.800	1.134	0.759	0.533	0.389	0.292	0.225
		Wind Load	8.887	4.550	2.633	1.658	1.111	0.780	0.569	0.427	0.329
	Multi Spans	Imposed Load	9.420	5.869	3.396	2.139	1.433	1.006	0.734	0.551	0.425
		Wind Load	12.580	8.051	4.968	3.129	2.096	1.472	1.073	0.806	0.621
0.46	Single Spans	Imposed Load	7.502	3.841	2.223	1.400	0.938	0.659	0.480	0.361	0.278
		Wind Load	10.497	5.374	3.110	1.959	1.312	0.922	0.672	0.505	0.389
	Multi Spans	Imposed Load	11.970	7.247	4.194	2.641	1.769	1.243	0.906	0.681	0.524
		Wind Load	14.580	9.331	5.868	3.695	2.476	1.739	1.268	0.952	0.734
0.50	Single Spans	Imposed Load	8.508	4.356	2.521	1.588	1.064	0.747	0.545	0.409	0.315
		Wind Load	11.587	5.932	3.433	2.162	1.448	1.017	0.742	0.557	0.429
	Multi Spans	Imposed Load	13.840	8.219	4.756	2.995	2.007	1.409	1.027	0.772	0.595
		Wind Load	15.910	10.182	6.478	4.079	2.733	1.919	1.399	1.051	0.810
0.70	Single Spans	Imposed Load	13.223	6.770	3.918	2.467	1.653	1.161	0.846	0.636	0.490
		Wind Load	17.250	8.832	5.111	3.219	2.156	1.514	1.104	0.829	0.639
	Multi Spans	Imposed Load	22.490	12.774	7.393	4.655	3.119	2.190	1.597	1.200	0.924
		Wind Load	22.610	14.470	9.643	6.073	4.068	2.857	2.083	1.565	1.205

1. Sheeting design is based on AISI - 2001 (LRFD) or equl B55950 P5.
 2. Imposed Load = Dead Load + Live Load (Deflection Limitation : Span / 180).
 3. Wind Load = Wind Uplift (Deflection Limitation : Span / 120).



LARGE FORMAT DIGITAL PRINT

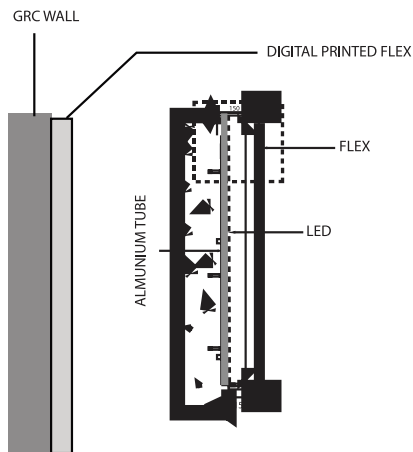
ELEVATION

69 METER

9 METER



TYP. SECTION



3D SIGNAGE

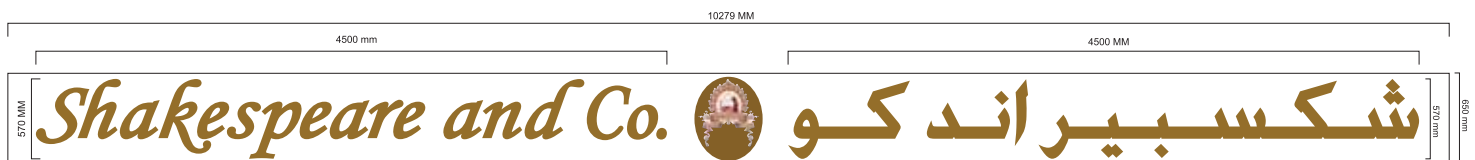
Signage is the design or use of signs and symbols to communicate a message to a specific group, usually for the purpose of marketing or a kind of advocacy. A signage also means signs collectively or being considered as a group. The term signage is documented to have been popularized in 1975 to 1980.

We are proudly offering our services to fabricate and install a variety of quality signage.

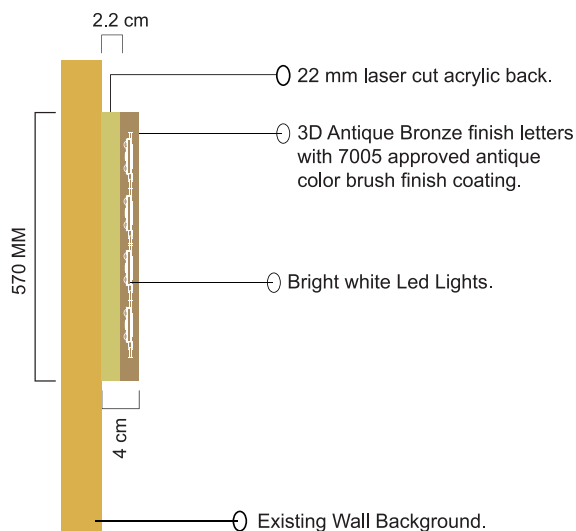


3D SIGNAGE

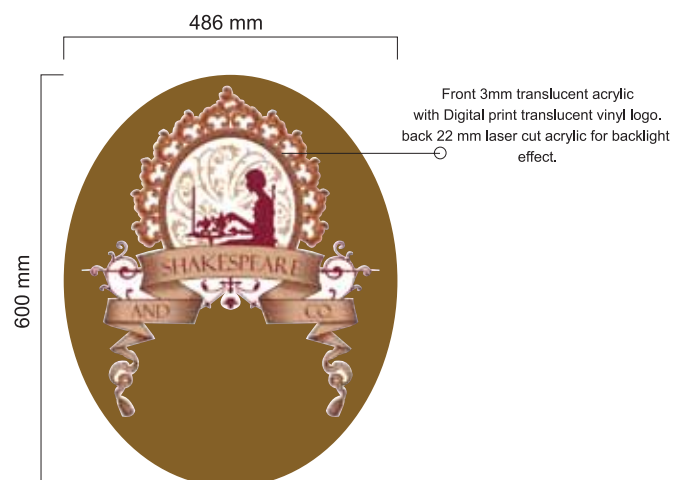
ELEVATION



3D SECTION



3D LOGO DETAILS



FLAG POLES

A flag is a piece of fabric (most often rectangular or quadrilateral) with a distinctive design that is used as a symbol, as a signaling device, or as decoration. The term flag is also used to refer to the graphic design employed, and flags have since evolved into a general tool for rudimentary signalling and identification, especially in environments where communication is similarly challenging (such as the maritime environment where semaphore is used).

Making & installation of flags with and without poles is one of our expertise



FLAG POLES

DETAILS



6MM POST

4M X 80CM FLAG

50X50X60CM

RCC BLOCKS



3MM POST

50X50CM

CONCRETE BASE

2M X 80CM FLAG



8M POST

2.5X1.2M FLAG

80X60X60

RCC BLOCKS



WALL BRANDING/ BILL BOARD

The biggest canvas and the most visible form of brand advertising that would create that need to make consumers do a second glance are the unique walls and pillars. Branded walls, pillars and partitions are a complete head turner and is the best way to capture your audience attention and even to brighten the dullest space in any event area.

Wall branding is one of our core services with delicacy and proficiency.

WALL BRANDING / BILL BOARD

SIDE VIEW



WINDOW GRAPHICS

FRONT VIEW



BILL BOARD

VEHICLE BRANDING

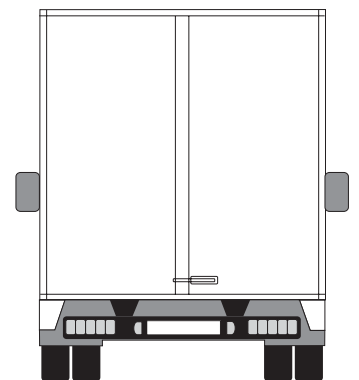
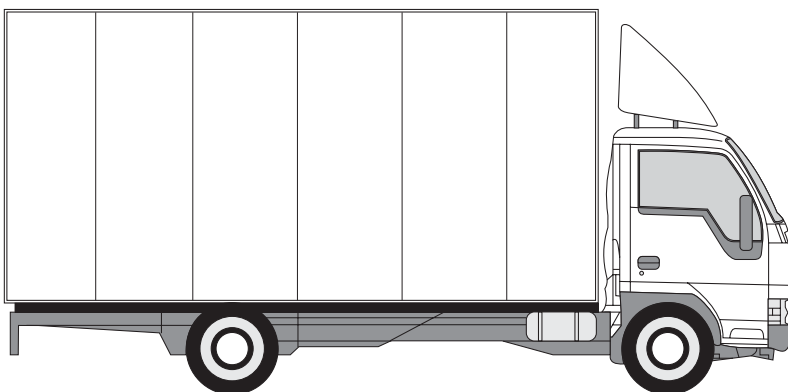
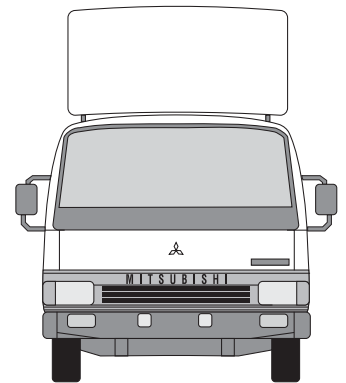
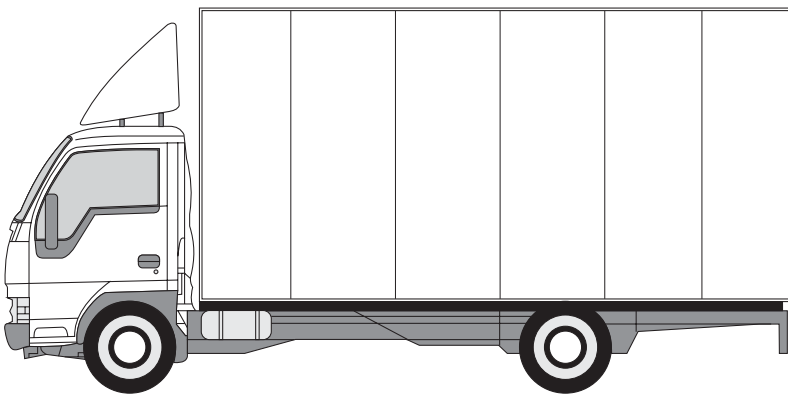
Wrap advertising or a vehicle wrap describe the marketing practice of completely or partially covering (wrapping a vehicle in an advertisement or livery. The result of this process is essentially a mobile billboard.

The vinyl sheets can later be removed with relative ease, drastically reducing the costs associated with changing advertisements. While vehicles with large, flat surfaces (such as buses and light-rail carriages) are often used, automobiles can also serve as hosts for wrap advertising, despite consisting of more curved surfaces. Wrap advertising is also used in the magazine and publishing industries.

Our professional team is expert in doing vehicle branding since 1998.



VEHICLE BRANDING



← 3350 mm →



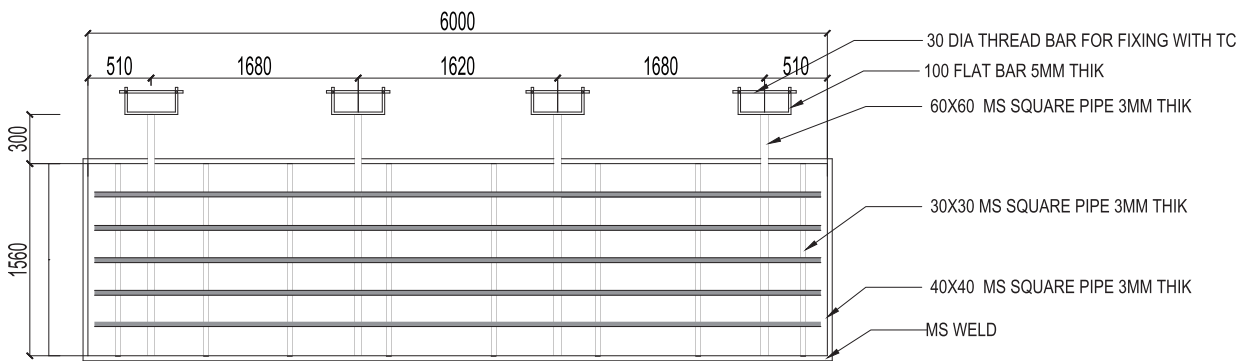
CRANE LIGHT BOX

A crane is a type of machine, generally equipped with a hoist rope, wire ropes or chains, and sheaves, that can be used both to lift and lower materials and to move them horizontally. It is mainly used for lifting heavy things and transporting them to other places.

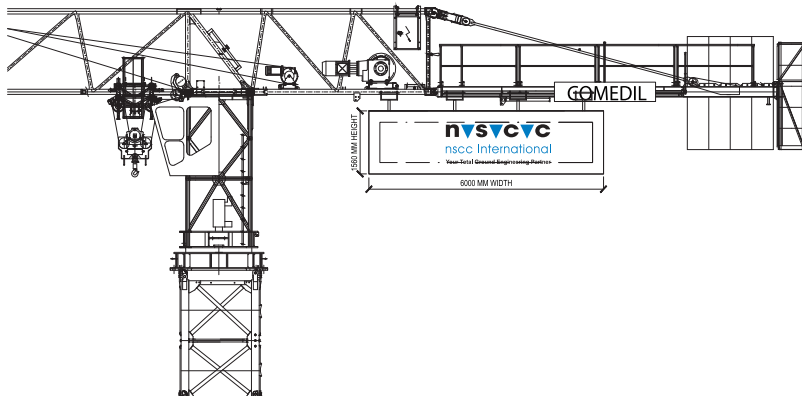
The device uses one or more simple machines to create mechanical.

The light box in the crane is used for identify the work & company name . it is type of advertisement.

CRANE LIGHT BOX



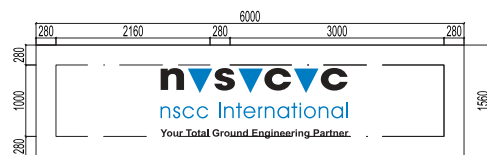
DETAIL ELEVATION FOR LIGHT BOX
SCALE 1:30



TOWER CRANE LIGHT BOX TEREX (2)
SCALE 1:100



TOWER CRANE LIGHT BOX 3D
SCALE 1:100



TOWER CRANE LIGHT BOX FRONT VIEW
SCALE 1:30

TRAFFIC SIGN

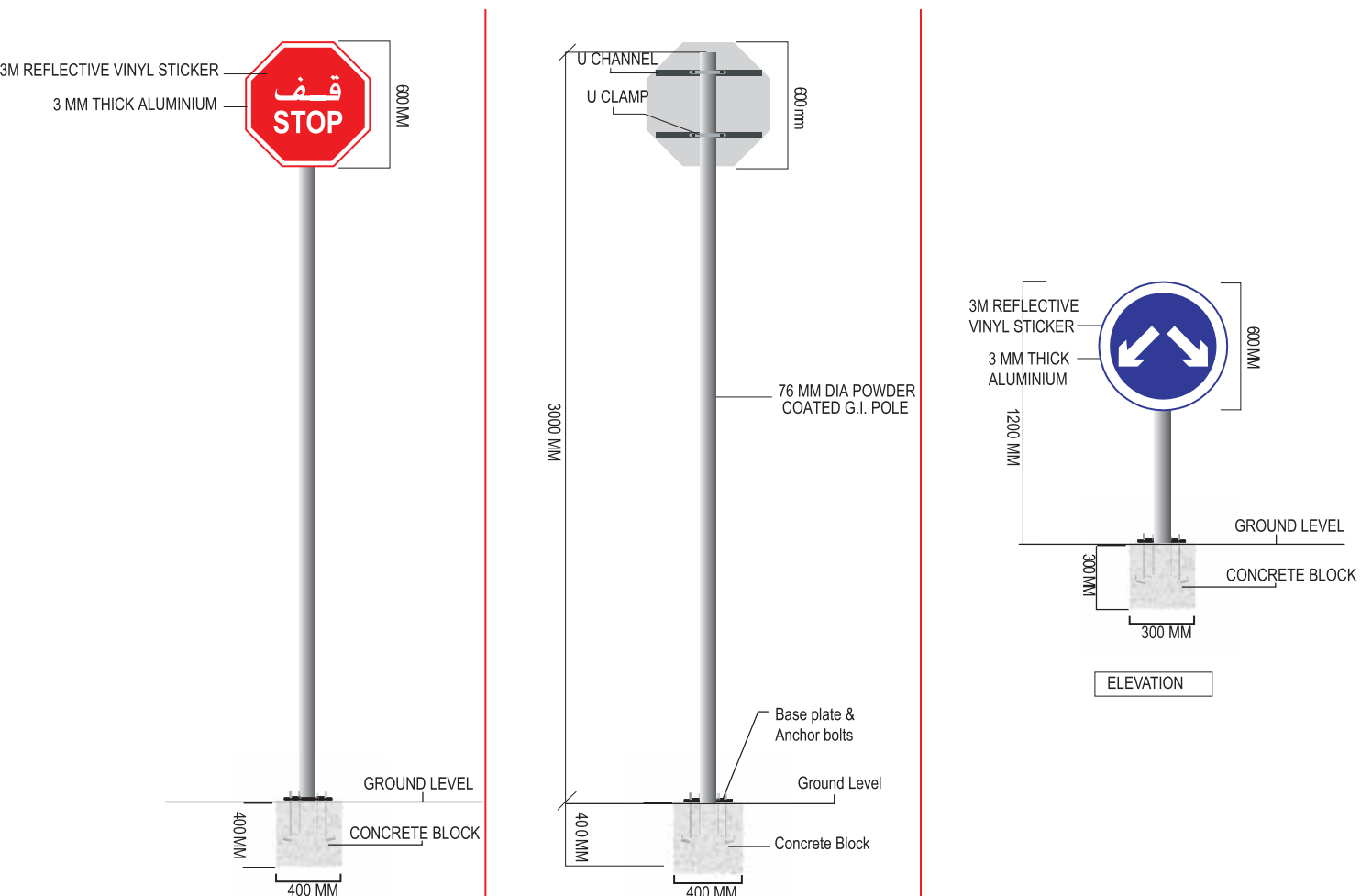


Traffic signs or road signs are signs erected at the side or above roads to give instructions or provide information to road users.

Our Professional team is expert in doing traffic sign since 1998.

TRAFFIC SIGN

ELEVATION





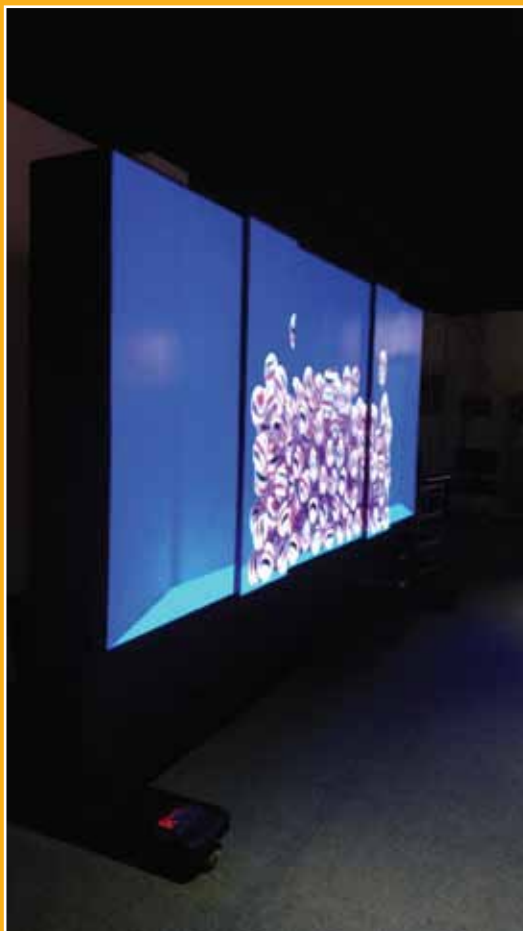
TRIPLE SIDES
ROTATING LED DISPLAY



VERTICAL SLIDING
FULL COLOR LED DISPLAY



VERTICAL SLIDING
FULL COLOR LED DISPLAY



VERTICAL SLIDING FULL COLOR LED DISPLAY

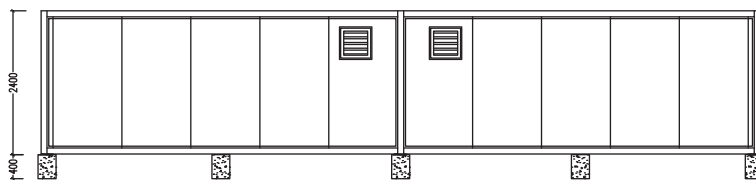


PORTACABIN

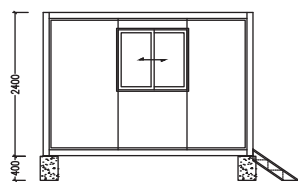
PORTACABIN stands among the pioneers in manufacturing of Prefabricated buildings, Site offices, Plan Offices, Mess Units, Labor accommodations, Ablution units, Ware houses, Manufacturing sheds, Schools, Villas, Mosques and customized steel structure buildings using latest manufacturing technology/ mechanism with skilled workforce to cater your prefab building requisitions. We are specialized in manufacturing of Fire rated cabins approved by Dubai/ Abu Dhabi civil defense authority along with the containerized/ Flat Pack units to be used as per the requirement of the clients in construction, Oil & Gas, MEP, Education, Health & Marine operations.

PORTABLE PORTCABIN

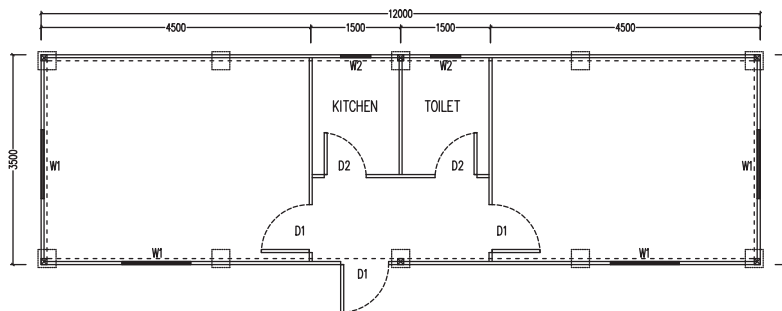
ELEVATION



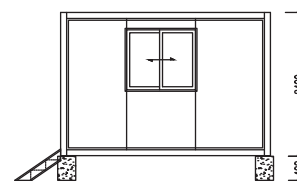
BACK VIEW



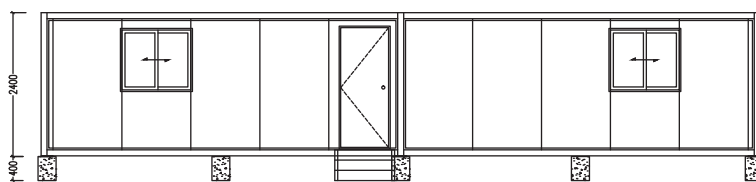
LEFT VIEW



FLOOR PLAN



RIGHT VIEW



FRONT VIEW

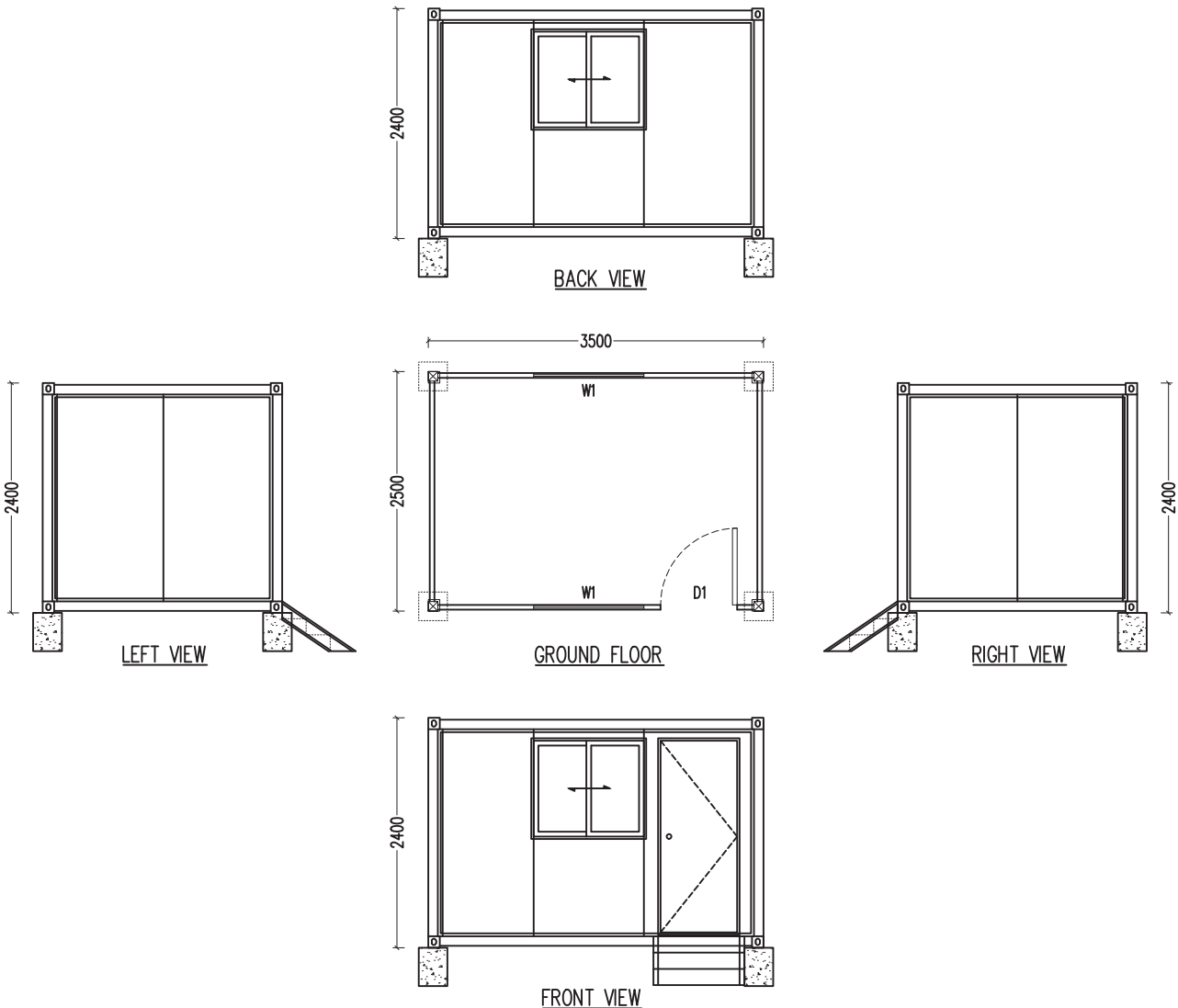
3	Sliding window	W1	1125*1000	
2	Single Door	D2	700*2000	
1	Single Door	D1	800*2000	
NO.	Item	Code	Specification	Remark



SECURITY CABIN

We are counted amongst reckoned names in the industry, committed towards Manufacturing a wide gamut of FRP Security Portable Cabin. The offered cabin is manufactured using premium grade raw material and the latest techniques in compliance with defined industry norms. Furthermore, we provide the provided cabin is made available in diverse dimensions and sizes to meet the preferences of our patrons. Beside this, we offer these cabin at the most affordable rates.

SECURITY CABIN



PORTACABIN - STORE

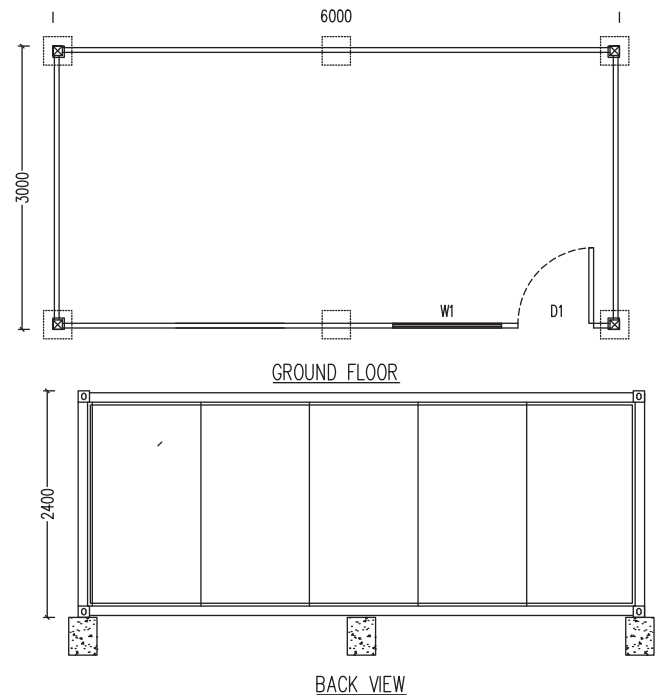
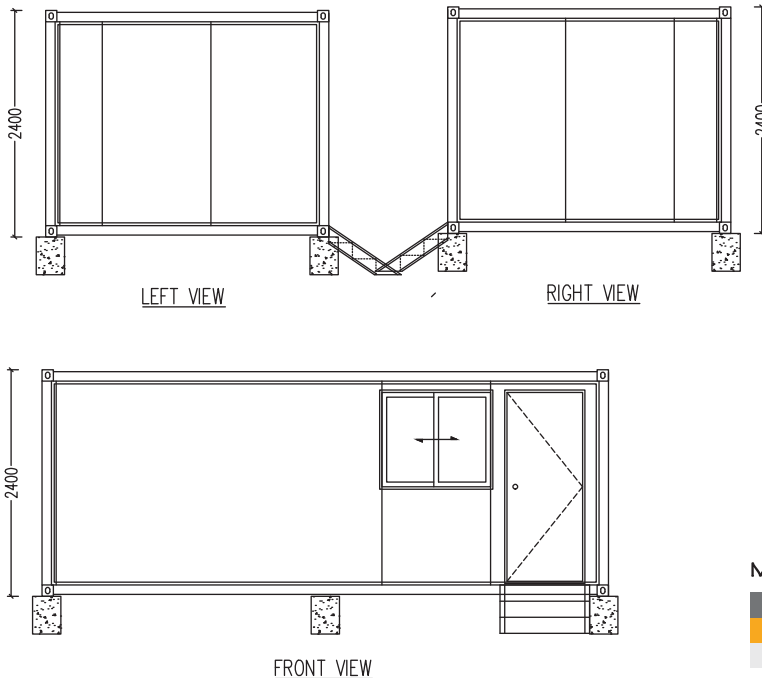
PORTACABIN stands among the pioneers in manufacturing of Prefabricated buildings, Site offices, Plan Offices, Mess Units, Labor accommodations, Ablution units, Ware houses, Manufacturing sheds, Schools, Villas, Mosques and customized steel structure buildings using latest manufacturing technology/ mechanism with skilled workforce to cater your prefab building requisitions. We are specialized in manufacturing of Fire rated cabins approved by Dubai/ Abu Dhabi civil defense authority along with the containerized/ Flat Pack units to be used as per the requirement of the clients in construction, Oil & Gas, MEP, Education, Health & Marine operations.



FRONT VIEW

PORTABLE STORE

ELEVATION



Main Materials Specification

S/N	ITEM	SPECIFICATION
1.	Corner Column/Middle Column	SHS100*100*2.0mm
2.	Bottom Steel chassis girder	SHS100*100*2.0mm
3.	Bottom Steel chassis secondary Beam	CB0*35*14*1.8mm
4.	Top Steel chassis girder	SHS100*100*2.0mm
5.	Pvc Sliding Window	1125mm(w)*1000mm(H)
6.	Window wrapping	Aluminium alloy
7.	Door With Lock	2000mm(H)*800mm(W), 2000mm(H)*700mm(W)
8.	Door Frame	Aluminium Alloy
9.	Roof for Porta cabin & Store Cabin	75mm Glass Wool, 0.286mm PPGI Steel built-in Panel Reinforced
10.	Roof for Security Cabin	50mm Glass wool 0.286mm PPGI Reinforced
11.	Wall	50mm Glass wool 0.286mm PPGI Reinforced
12.	Plywood	1200*2400*15mm
13.	PVC flooring	1.0mm
14.	Staircase	Steel Structure; 500mm*1000mm
15.	Plywood	1200*2400*15mm
16.	Fittings	Asphalt tape, Screws, Rivet, Glass Cement, Tapping screws etc

PORTACABIN / SECURITY CABIN TOILET CABIN





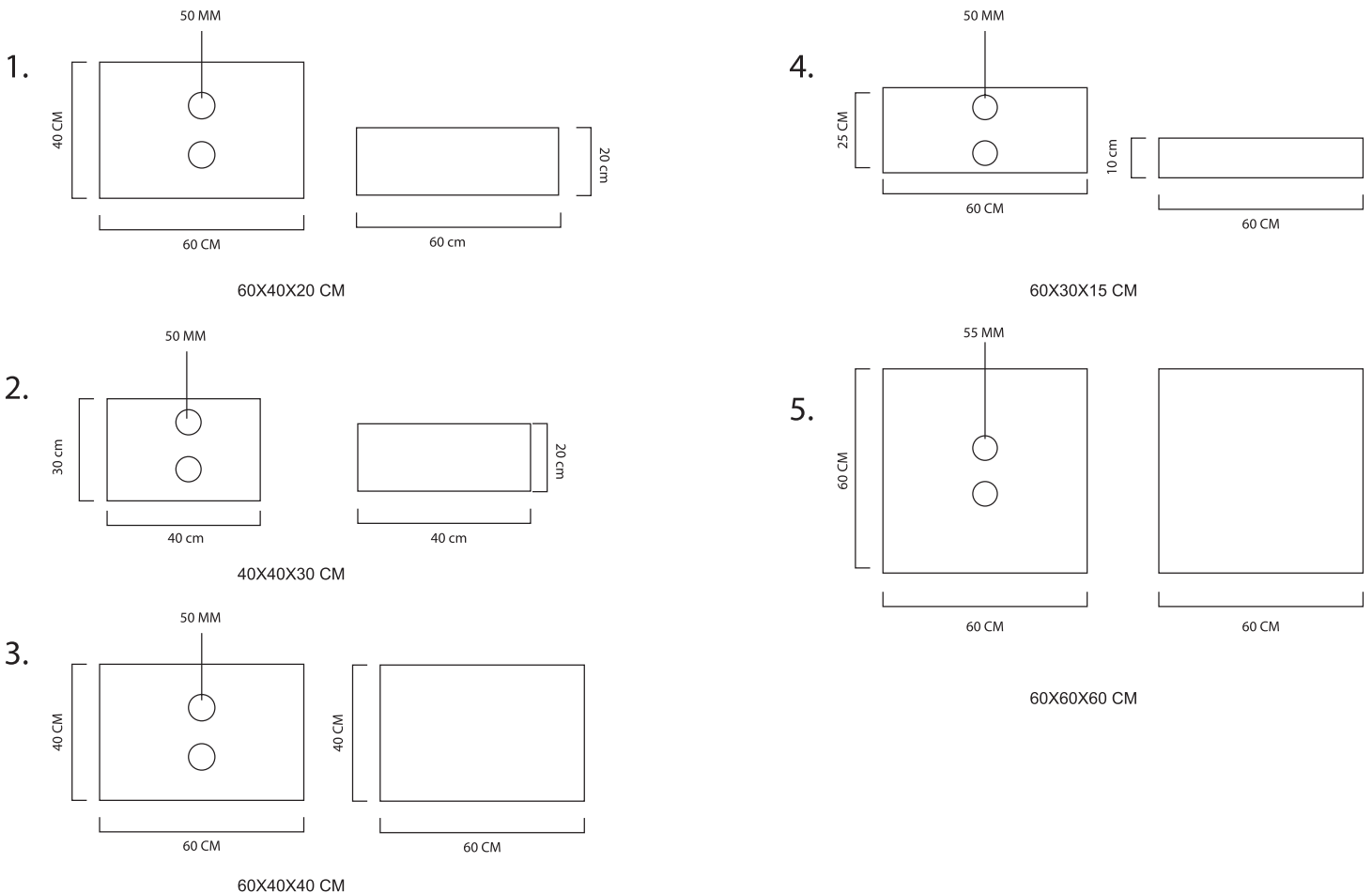
RCC BLOCKS

The concrete commonly used to make concrete blocks is a mixture of powdered portland cement, water, sand, and gravel. This produces a light gray block with a fine surface texture and a high compressive strength.

A typical concrete block weighs 38-43 lb (17.2-19.5 kg). In general, the concrete mixture used for blocks has a higher percentage of sand and a lower percentage of gravel and water.

RCC FOUNDATION

ELEVATION



SOME OF OUR DONE PROJECTS



MOROCCO EXHIBITION

BIG 5 CONSTRUCT - NORTH AFRICA 2017





CUTTING/BENDING MACHINE (G.I | MS | ALMUNUM SHEETS)

We are having subjected machine to cut and bend PPGI Coil to get a shape of corrugated fence to ensure to provide a quality product to our clients. We are quality providers and do not want to take a risk on our finished products.

CUTTING/BENDING MACHINE



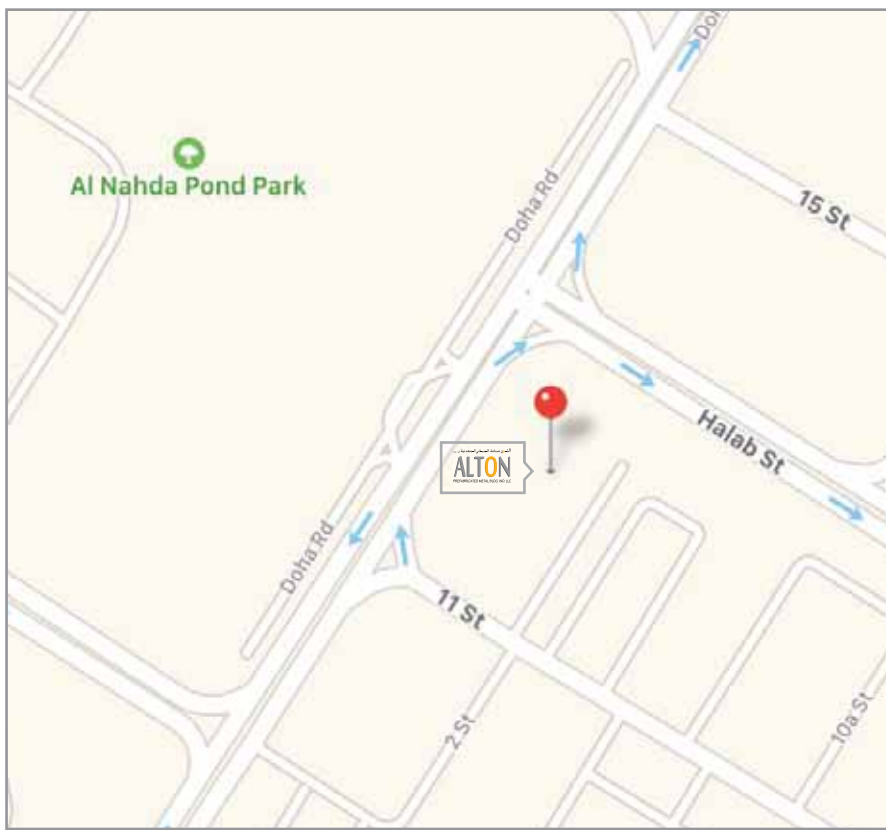
RCC BLOCKS PRODUCING MACHINE

Daily supply capacity of concrete blocks is apprx. 2000-3000 by our plant having different sizes of blocks as per customer and project requirements.



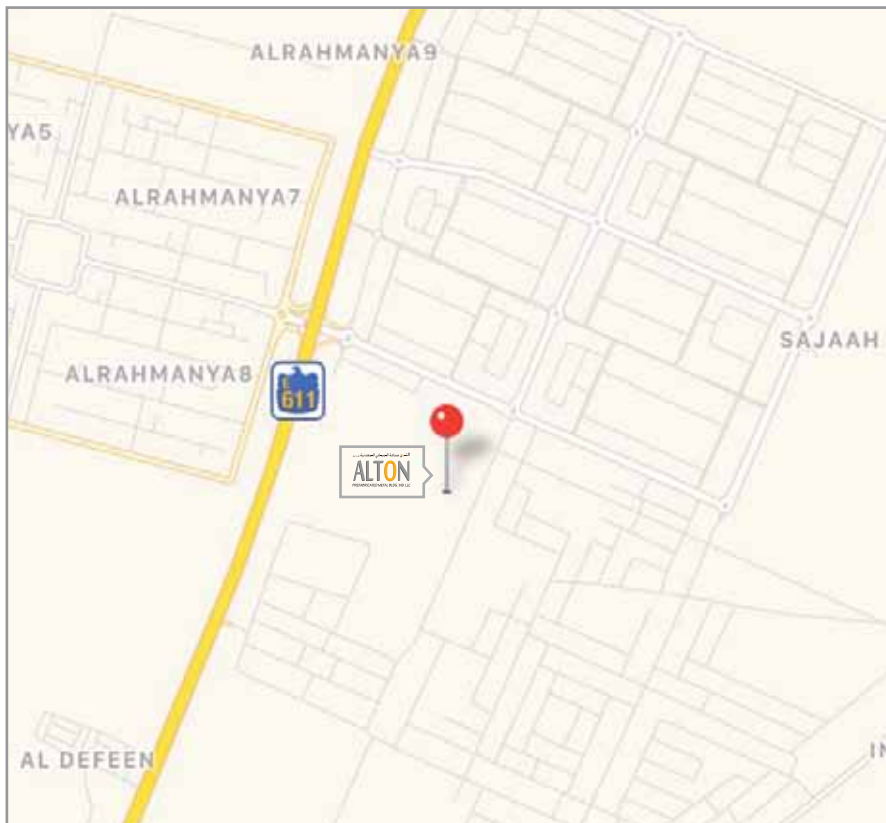
CONCRETE BLOCK MAKING PLANT

GOOGLE CODE: 25.328854,55.620037



Dubai Head Office

GOOGLE CODE: 25.287350,55.383549



Sajja Location

ADDRESS :

Al Quasis Ind. O1, W/H - Office No: 14, Opp: Al Nahda Pond Park, P.O.Box: 86357, Dubai - UAE

Tel : +971 4 258 5004 | Fax: +971 4 258 5007

Email: anis@altonadv.com | anisalton@yahoo.com

www.altonfence.com | www.altonadv.com | www.altonprefab.com